



**Fisher Engineering**

27500, 28000, 28100-1, 28500, 29000  
29100-1, 75000, 75100, 75500

50 Gordon Drive, Rockland, Maine 04841-2139 • [www.fisherplows.com](http://www.fisherplows.com)

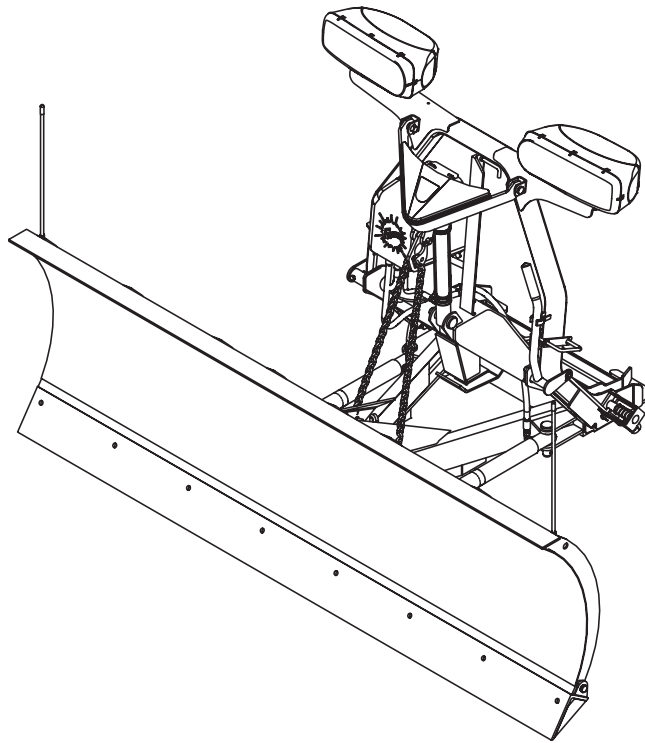
February 1, 2023  
Lit. No. 49594, Rev. 13



# Blade and Off-Truck Kit

## HD Series & XBLADE™ Snowplows

### Parts List





**XBLADE™ BLADE COMPONENTS**..... 4

**HD Series BLADE COMPONENTS**..... 5

    Headgear Components ..... 8

    Hydraulic Unit Components ..... 10

    A-Frame Components ..... 12

    Ram Components and Hoses..... 13

    Electrical Components ..... 14

    Vehicle-Side Harness Diagram ..... 15

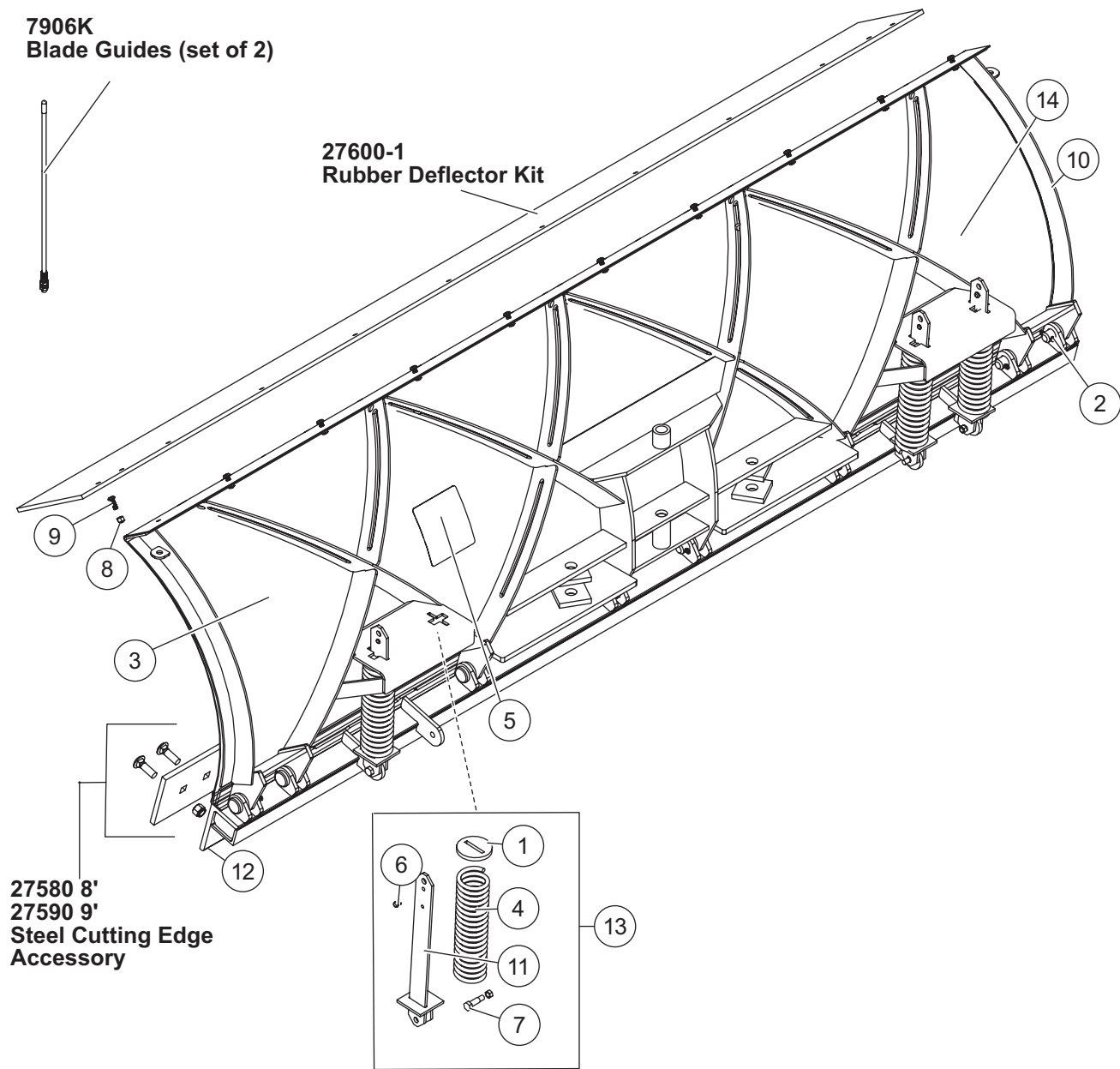
    Vehicle-Side Harness Diagram, Central Hydraulics..... 16

    Headlamp Kit ..... 17

**XBLADE™ Blade Components**

28100-1 8' XBLADE SS

29100-1 9' XBLADE SS



**27500, 28000, 28100-1, 28500, 29000, 29100-1, 75000, 75100, 75500**

28100-1 8' XBLADE™ Snowplow / 29100-1 9' XBLADE Snowplow							
Item	Qty	Part	Description	Item	Qty	Part	Description
1	4	20191	Removable Spring Disc	10	1	27538	Blade Frame, 8' (without base angle)
2	6*	27241	1 x 2-3/4 Clevis Pin w/Cotter		1	27539	Blade Frame, 9' (without base angle)
3	1	28103	Moldboard Assembly, 8' SS	11	4	21450	Removable Spring Bar
	1	29103	Moldboard Assembly, 9' SS	12	1	27558	Base Angle, 8'
4	4	5323	Trip Spring		1	27559	Base Angle, 9'
5	1	59900	Label – Warning/Caution, Snowplows	13	4	21452	Removable Spring Assembly
6	4	20181	1/4 x 1-1/4 Pin	14	1	20238	Label – Logo, FISHER® Splatter
7	4	40905	Shoulder Bolt w/Locknut	ns	1	27222	Curb/Shoe Kit Accessory
8	8†	95410	3/8-16 x 1 Hex Locknut SS	ns	1	44406	Curb Guard Kit Accessory
9	8†	98035	3/8-16 x 1 Button Cap Screw SS				
SS = Stainless Steel				ns = not shown			

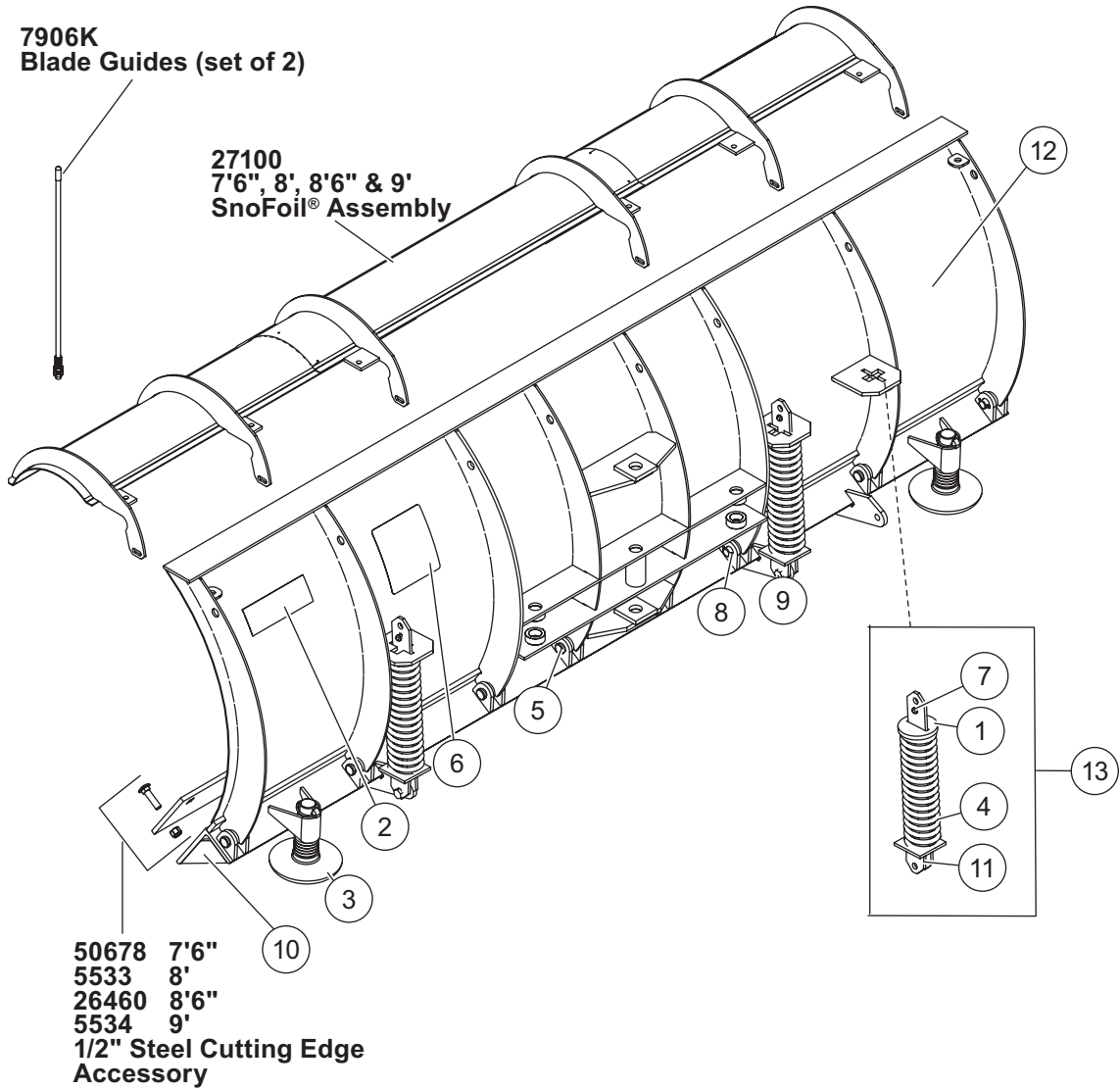
\* Quantity 8 for 9' blade.

† Quantity 10 for 9' blade.

HD Series Blade Components

- 27500 7'6" HD Blade Assembly
- 28000 8' HD Blade Assembly
- 28500 8'6" HD Blade Assembly
- 29000 9' HD Blade Assembly

7'6" Blade Shown

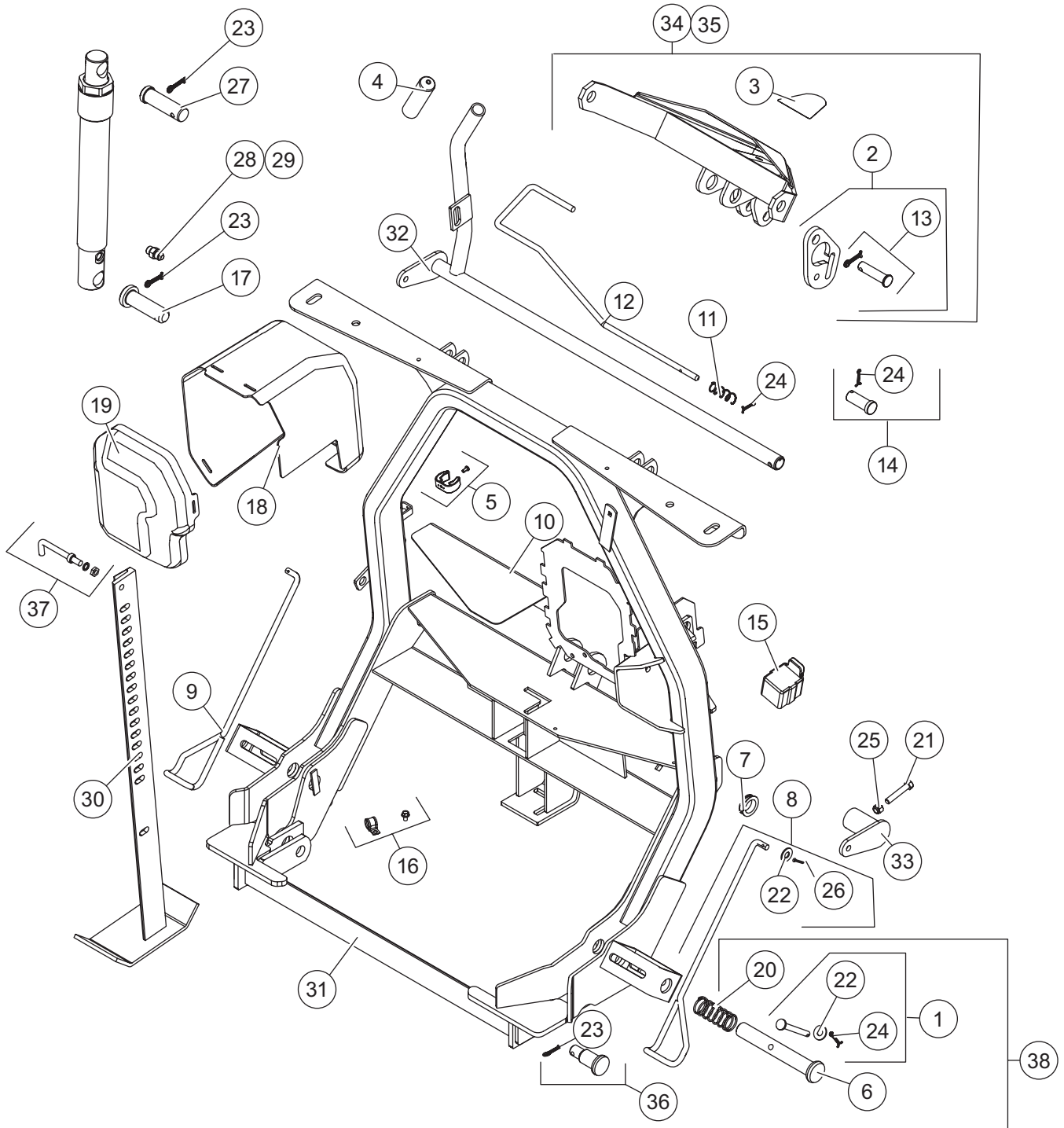


**27500, 28000, 28100-1, 28500, 29000, 29100-1, 75000, 75100, 75500**

<b>HD Series Snowplow Components</b>									
<b>Item</b>	<b>Description</b>	<b>7'6"</b>		<b>8'</b>		<b>8'6"</b>		<b>9'</b>	
		<b>Part</b>	<b>Qty</b>	<b>Part</b>	<b>Qty</b>	<b>Part</b>	<b>Qty</b>	<b>Part</b>	<b>Qty</b>
1	Removable Spring Disc	20191	3	20191	4	20191	4	20191	4
2	Label – Logo, STORM GUARD™	26211	1	26211	1	26211	1	26211	1
3	Shoe, 6" Solid Cast	26523	2	26523	2	26523	2	26523	2
4	Trip Spring	27406	3	27406	4	27406	4	27406	4
5	3/4 x 2-3/16 Machine Pin w/Cotter	84844	8	84844	8	84844	8	84844	8
6	Label – Warning/Caution, Snowplows	59900	1	59900	1	59900	1	59900	1
7	1/4 x 1-1/4 Cotter Pin	20181	3	20181	4	20181	4	20181	4
8	5/32 x 1-1/4 Cotter Pin	90658	8	90658	8	90658	8	90658	8
9	Shoulder Bolt w/Locknut	40905	3	40905	4	40905	4	40905	4
10	Base Angle	29440	1	26441	1	26443	1	26443	1
11	Removable Spring Bar	20757	3	20757	4	20757	4	20757	4
12	Label – Logo, FISHER® Splatter	20238	1	20238	1	20238	1	20238	1
13	Removable Spring Assembly	26464	3	26464	4	26464	4	26464	4
ns	3/8 Steel Cutting Edge Accessory	5532	1	n/a	n/a	n/a	n/a	n/a	n/a
ns	Steel Deflector Accessory	283	1	26480	1	26485	1	26490	1
ns	Curb Guard Kit Accessory	44405	1	44405	1	44405	1	44406	1

ns = not shown

### Headgear Components





**27500, 28000, 28100-1, 28500, 29000, 29100-1, 75000, 75100, 75500**

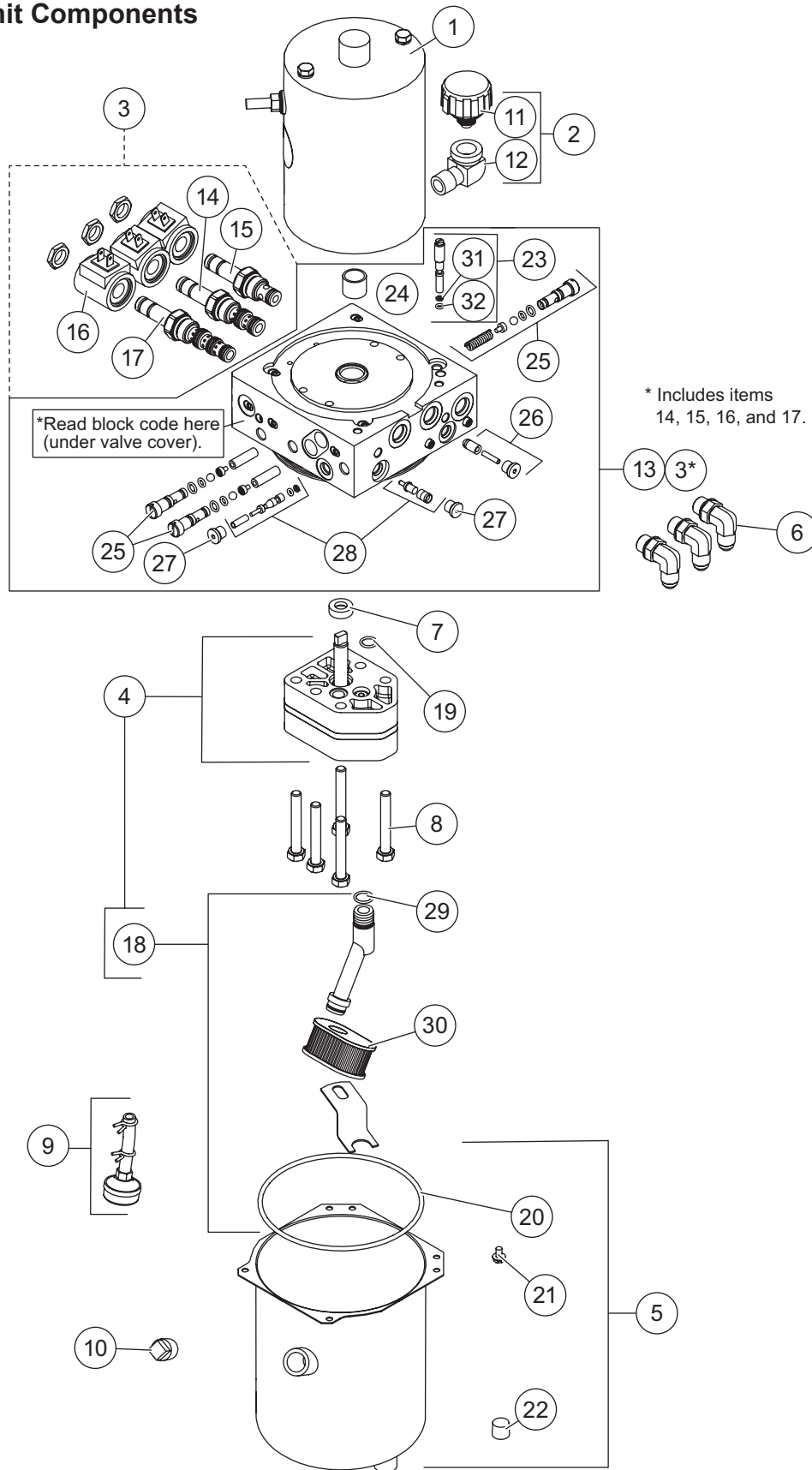
Headgear Components							
Item	Part	Qty	Description	Item	Part	Qty	Description
1	26219	2	Clevis Pin Kit	21	90043	1	3/8-16 x 2 Hex Cap Screw G5
2	28991	1	Stop Link Kit	22	90315	4	3/8 Flat Washer Type A Wide
3	26777	1	Nameplate – Logo, Minute Mount® 2	23	90601	5	1/4 x 1-1/2 Cotter Pin
4	27535	1	Handle Cover Kit	24	90658	5	5/32 x 1-1/4 Cotter Pin
5	27162K-1	1	Stop Clip Kit	25	91333	1	3/8-16 Hex Locknut GB
6	26833	2	1 x 6-15/16 Clevis Pin	26	91902	2	1/8 x 1 Cotter Pin
7	27163K	2	Snap-In Bushing Kit (2 bushings)	27	95720	1	1 x 3.313 Clevis Pin HT
8	27167K	1	Wire Cam Kit – PS	28†	49526	1	Connector, Short –6 M JIC/ 6 M ORB
9	27166K	1	Wire Cam Kit – DS	29‡	56725	1	Elbow, 90° –6 M JIC/–6 M ORB
10	27451	1	Label – Attach/Detach, Minute Mount 2	30	27462	1	Jack, HD
11	27461	1	3/4 x 3-1/2 Compression Spring	31	49652	1	Headgear
12	27478	1	Jack Lock	32	27468	1	Handle – Link Arm Assembly
13	29037	1	5/8 x 2-5/8 Clevis Pin w/Cotter	33	27465	1	Link Arm
14	4289K	2	3/4 x 1-7/8 Machine Pin Packet	34	26757-1	1	Lift Arm Kit – Yellow
15	8284K	1	Cable Boot	35	27560-2	1	Lift Arm Kit – Silver
16†	49522	2	Clamp Loop Kit	36	27177K	2	Step Pin Kit
17	6814	1	1 x 3-5/16 Clevis Pin	37	27164K	1	Handle Kit
18†	68312-1	1	Front Cover	38	27168K	2	Connecting Pin Kit
19†	68313-1	1	Rear Cover	ns*	42283	1	Headgear Service Kit
20	821	2	1 x 3-1/2 Compression Spring	ns†	69689	1	Label – Logo, SECURITY GUARD™
HT = Heat Treated		ns = not shown		M = Male		G = Grade	

\* Includes jack, link arm, and connecting pin assemblies.

† Not used for central hydraulics.

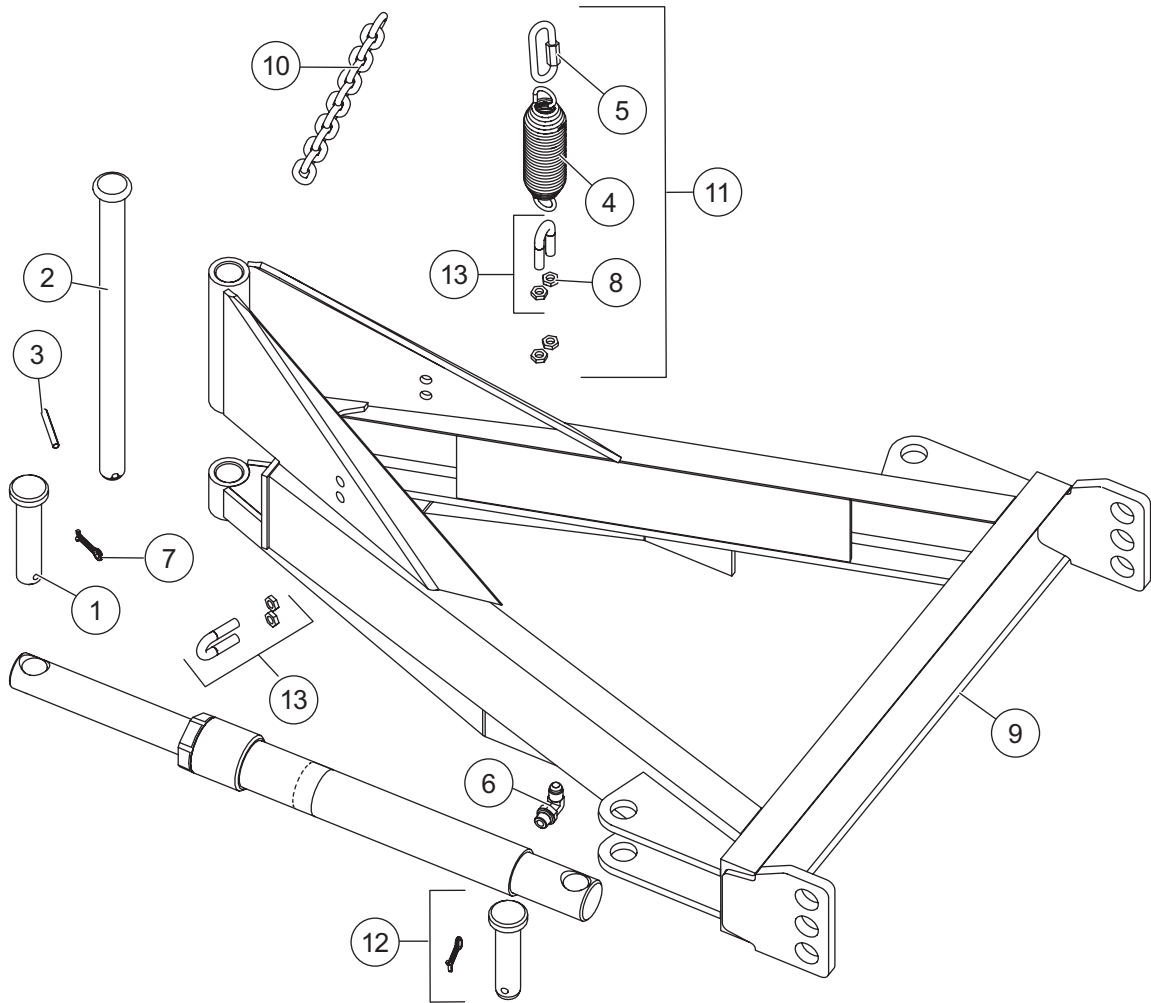
‡ Central hydraulics only.

### Hydraulic Unit Components



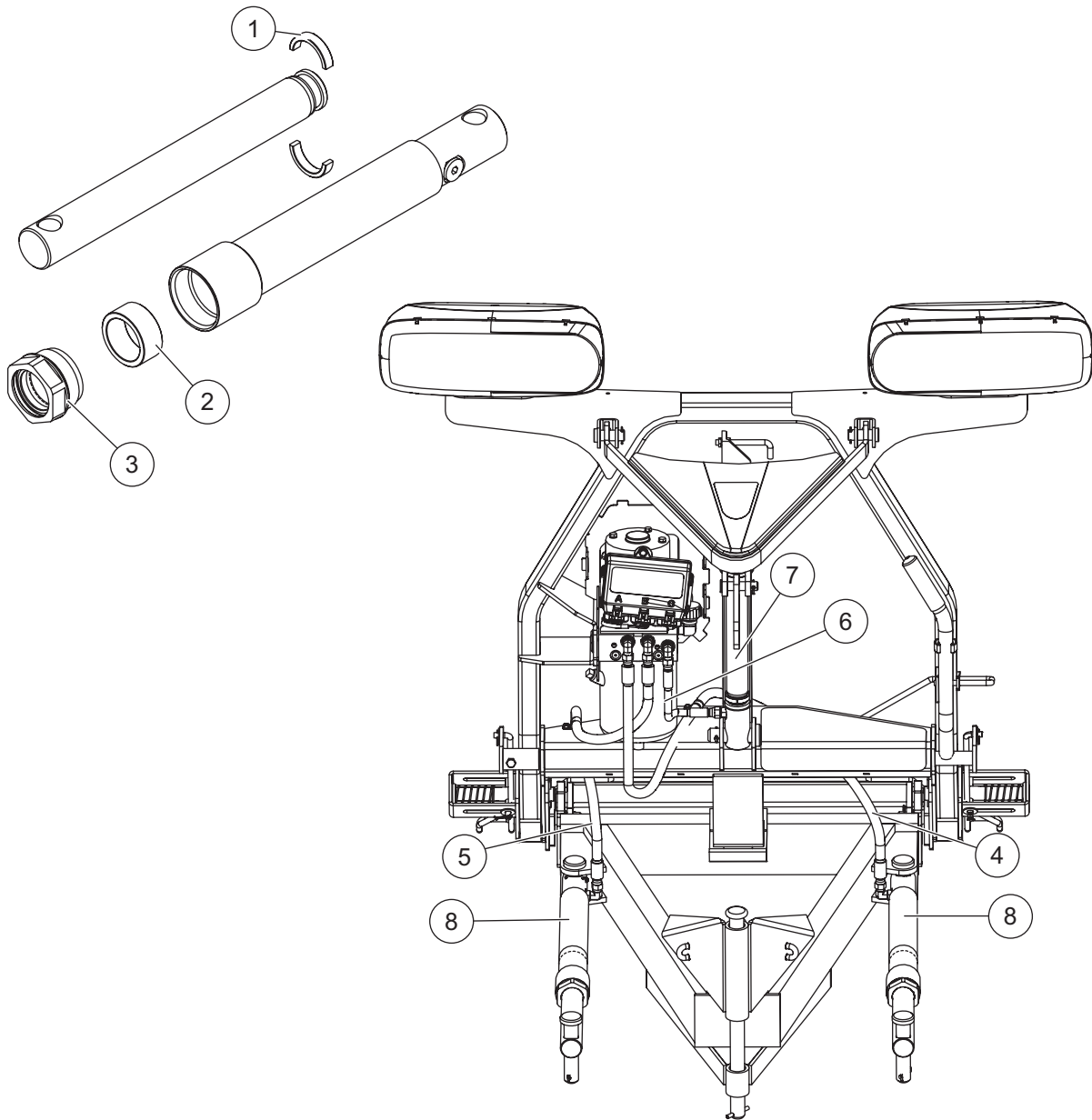


**A-Frame Components**



A-Frame Components						
Item	Part	Qty	Description	Item	Part	Qty Description
1	22260	2	1 x 4-3/4 Clevis Pin	8	91413	8 3/8-16 Hex Nut G5
2	26060	1	1 x 16 Pivot Pin	9	27598	1 A-Frame Kit – HD/XBLADE™
3	26463	1	1/4 x 2 Slotted Spring Pin	10	26999-1	1 5/16 G30 Lift Chain Bag
4	27074	1	Spring	11	49521	1 Spring/U-Bolt/Link Kit
5	68340	1	Quick Link	12	7903K	2 1 x 4 Clevis Pin w/Cotter Kit
6	56725	2	Elbow, 90° –6 M JIC/–6 M ORB	13	A6148K	3 U-Bolt Assembly Packet
7	90601	4	1/4 x 1-1/2 Cotter Pin			
			M = Male	G = Grade		

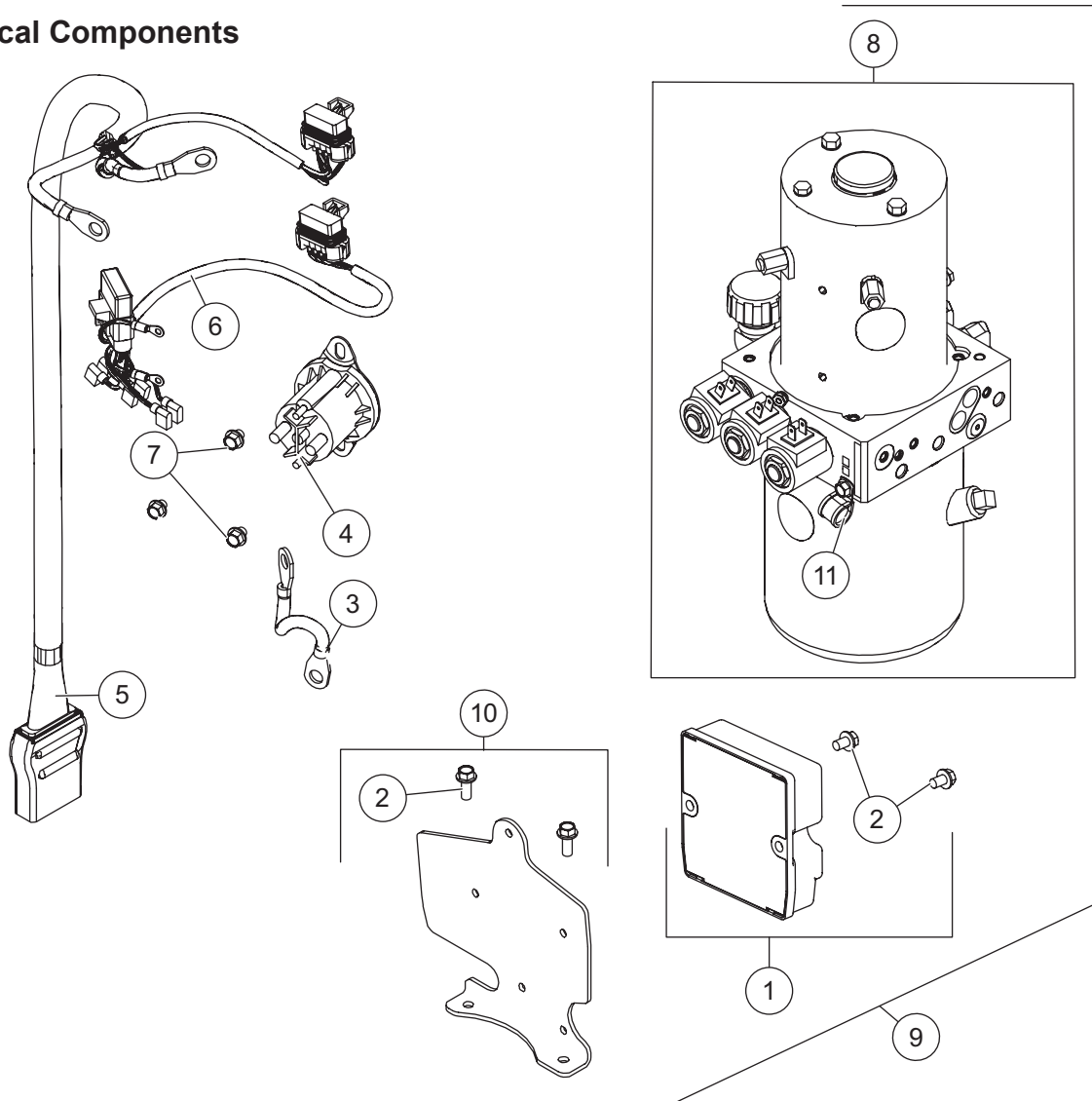
Hoses and Fittings



Hoses and Fittings							
Item	Part	Qty	Description	Item	Part	Qty	Description
1	20118K	1	Split Bearing Kit	5†	49501	1	Hose, 3/8 x 36 w/F JIC Ends
2	56537	1	Spacer	6†	56832	1	Hose, 1/4 x 8 w/F JIC Ends
3	48985	1	Gland Nut Assembly	7	56600K	1	1-1/2 x 10 Ram Assembly
4†	44348	1	Hose, 3/8 x 42 w/F JIC Ends	8	56603K	1	1-1/2 x 12 Ram Assembly
F = Female				M = Male			

† Not used for central hydraulics.

**Electrical Components**



Plow-Side Electrical Components							
Item	Part	Qty	Description	Item	Part	Qty	Description
1	49567	1	Plow Module, 2-Port	7	29099	2	1/4-20 x 1/4 Hex Washer-Head Thread-Rolling Screw
2	44355	4	1/4-20 x 5/8 Hex Washer-Head Thread-Rolling Screw	8	42293	1	Hydraulic Unit 4000 psi
3	29071	1	Cable Assembly 8"	9	42291	1	Hydraulic Unit Service Kit 4000 psi
4	42901	1	Motor Relay Kit FLEET FLEX System	10	42287	1	Bracket – Plow Module
5	42015	1	Snowplow Battery Cable	11	49522	1	Clamp Loop Kit
6	28581-1	1	Plow Control Harness, 3-Solenoid				
Vehicle-Side Electrical Components							
‡	42014	1	Vehicle Battery Cable†	ns	98043	3	3/8-16 x 1 Button Cap Screw
‡	28587	1	Vehicle Control Harness†	ns	26498	1	Vehicle Control Harness – Central Hydraulics*
ns	61548K	1	Plug Cover				

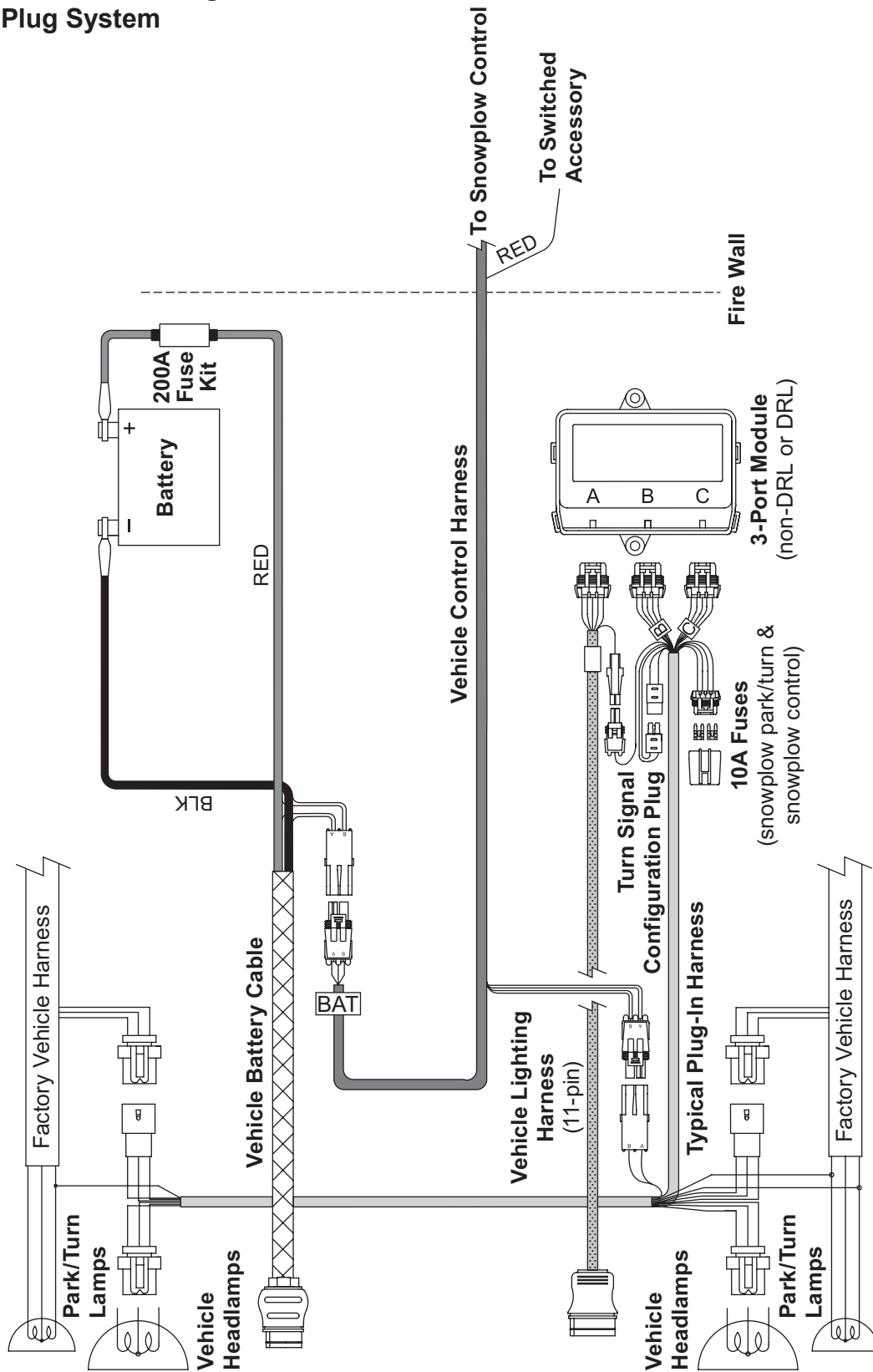
ns = not shown

‡ For diagram see Vehicle-Side Harness Diagram.

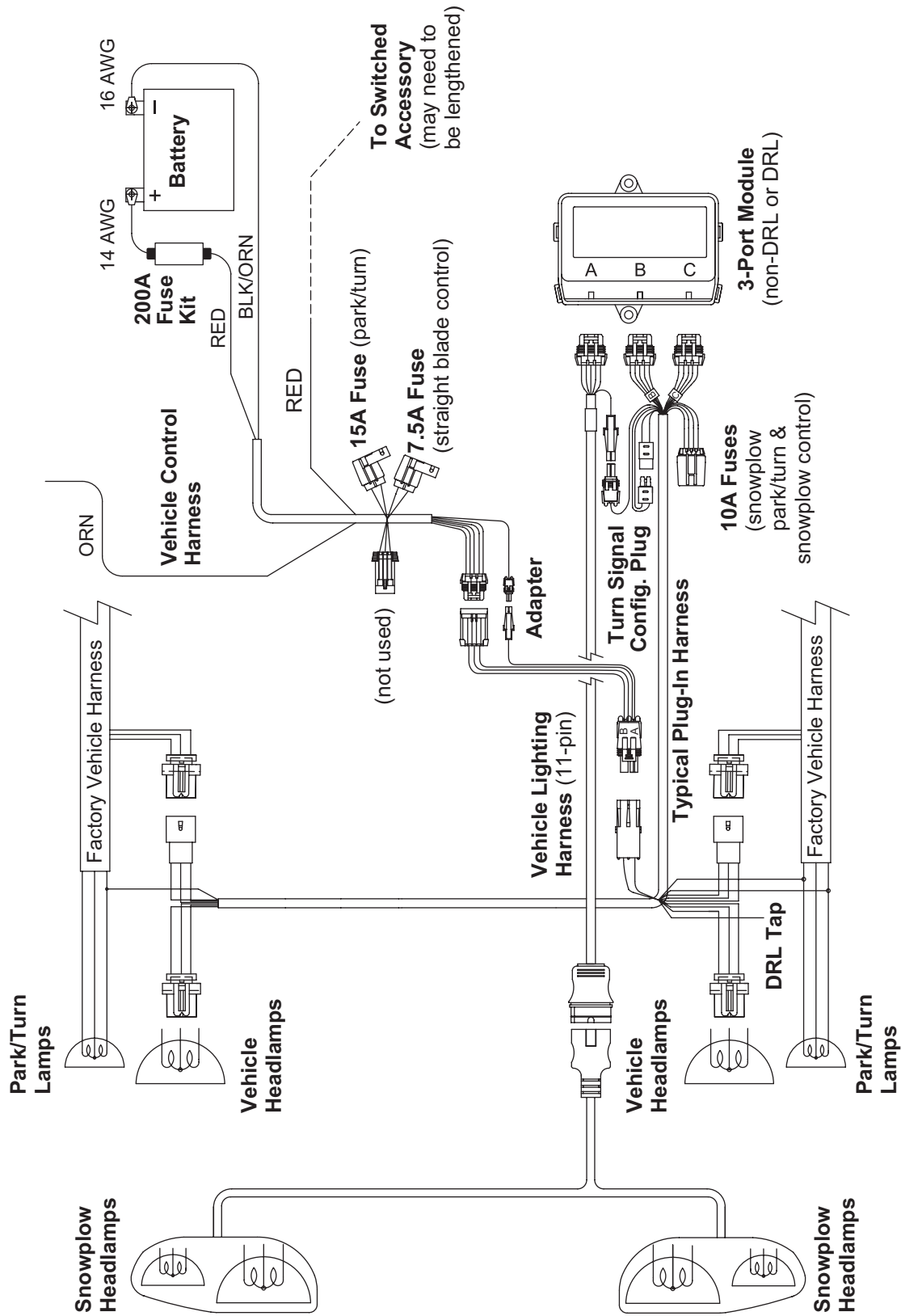
\* For diagram, see Vehicle-Side Harness Diagram – Central Hydraulics.

† Not used for central hydraulics.

**Vehicle-Side Harness Diagram  
3-Port, 2-Plug System**

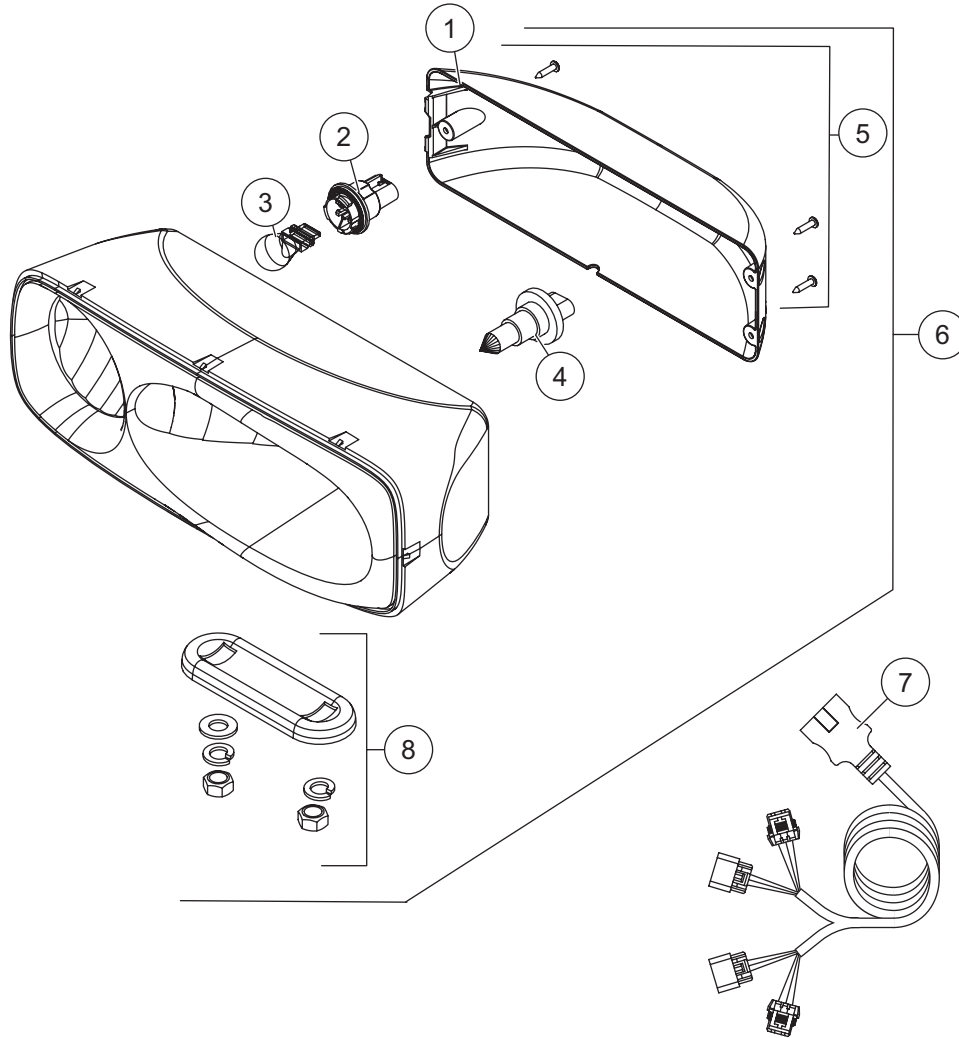


**Vehicle-Side Harness Diagram  
Central Hydraulics**





Headlamp Kit



28800-1 Headlamp Kit (pair)							
Item	Part	Qty	Description	Item	Part	Qty	Description
1	28803-1	2	Rear Cover Kit (fits 2- or 3-screw)	6	28802-1	1	Headlamp Service Kit – PS
2	28805	2	Park/Turn Socket Service Kit	ns	28801-1	1	Headlamp Service Kit – DS
3		2	Park/Turn Bulb (trade no. 4157NAK)	7	28213K	1	Harness Service Kit
4	28806	2	Headlamp Bulb Service Kit H13	8	28804	2	Mounting Hardware Kit
5	28808-1	2	Cover Screws Service Kit (pkg of 3)				

ns = not shown



Fisher Engineering  
50 Gordon Drive  
Rockland, ME 04841-2139  
[www.fisherplows.com](http://www.fisherplows.com)

**A DIVISION OF FISHER, LLC**

Copyright © 2023 Douglas Dynamics, LLC. All rights reserved. This material may not be reproduced or copied, in whole or in part, in any printed, mechanical, electronic, film, or other distribution and storage media, without the written consent of Fisher Engineering. Authorization to photocopy items for internal or personal use by Fisher Engineering outlets or snowplow owner is granted.

Fisher Engineering reserves the right under its product improvement policy to change construction or design details and furnish equipment when so altered without reference to illustrations or specifications used. Fisher Engineering or the vehicle manufacturer may require or recommend optional equipment for snow removal. Do not exceed vehicle ratings with a snowplow. Fisher Engineering offers a limited warranty for all snowplows and accessories. See separately printed page for this important information. The following are registered (®) or unregistered (™) trademarks of Douglas Dynamics, LLC: FISHER®, Minute Mount® 2, SECURITY GUARD™, STORM GUARD™, XBLADE™.

**Printed in U.S.A.**