



**Fisher Engineering**

50 Gordon Drive, Rockland, Maine 04841-2139 • www.fisherplows.com

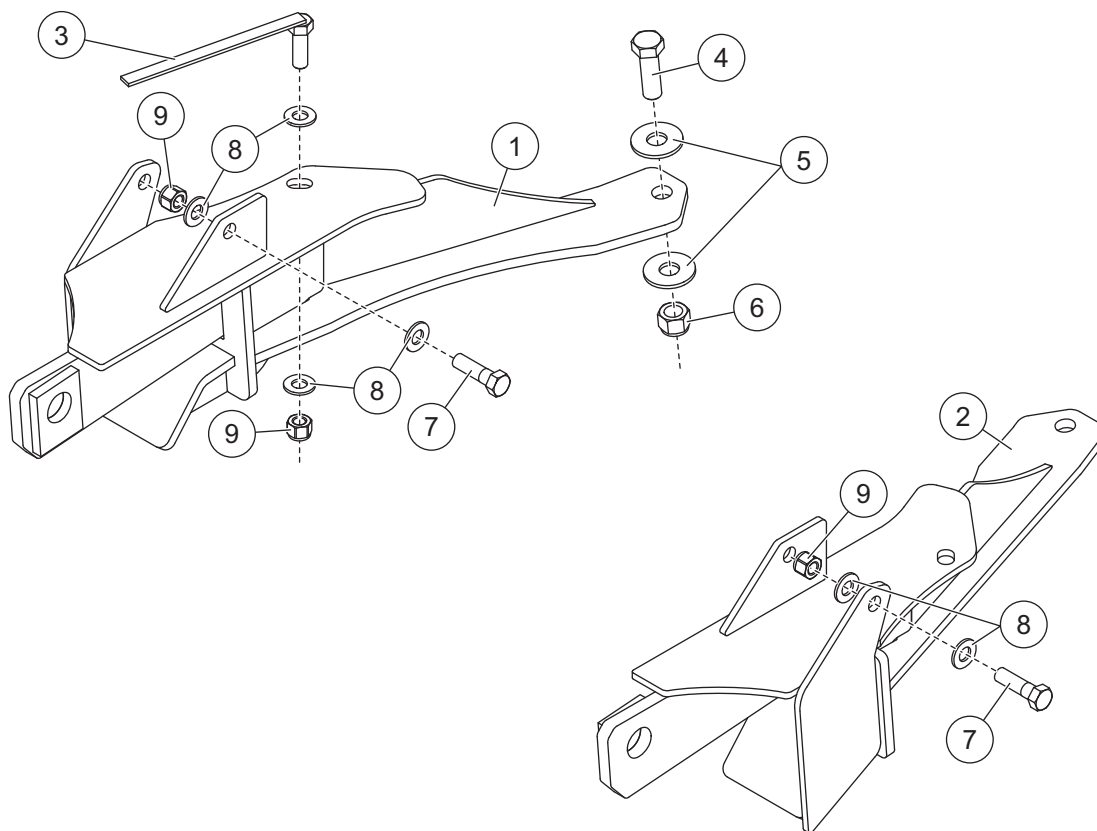
January 15, 2011  
Lit. No. 64014, Rev. 06

# Minute<sup>2</sup> SYSTEM

## MOUNT KIT

<b>GMC K1500HD Silv/Sierra</b>	<b>2001 - 07</b>
<b>GMC K2500/2500HD/3500/ 3600 Silv/Sierra</b>	<b>2003 - 10</b>
<b>GMC C3500/3600 Silv/Sierra</b>	<b>2003 - 10</b>
<b>GMC Suburban XL/Yukon XL 2500</b>	<b>2004 - 10</b>
<b>GMC Avalanche 2500</b>	<b>2002 - 10</b>

### Parts List



7169 Mount Kit							
Item	Part	Qty	Description	Item	Part	Qty	Description
1	64006	1	Pushplate – PS	3	21590	2	1/2-13 x 1-1/2 Hex Cap Screw G5 w/Handle
2	64005	1	Pushplate – DS	ns	28875	1	Bolt Bag – 7169
28875 Bolt Bag – 7169							
4		2	5/8-11 x 2 Hex Cap Screw G5	7		4	1/2-13 x 1-3/4 Hex Cap Screw G5
5		4	5/8 Hardened Flat Washer	8		14	1/2 Hardened Flat Washer
6		2	5/8-11 Hex Locknut GB	9		6	1/2-13 Hex Locknut GB
ns = not shown				G = Grade			

Copyright © 2011 Douglas Dynamics, L.L.C. All rights reserved. This material may not be reproduced or copied, in whole or in part, in any printed, mechanical, electronic, film or other distribution and storage media, without the written consent of Fisher Engineering. Authorization to photocopy items for internal or personal use by Fisher Engineering outlets or snowplow owner is granted.

Fisher Engineering reserves the right under its product improvement policy to change construction or design details and furnish equipment when so altered without reference to illustrations or specifications used. Fisher Engineering or the vehicle manufacturer may require or recommend optional equipment for snow removal. Do not exceed vehicle ratings with a snowplow. Fisher Engineering offers a limited warranty for all snowplows and accessories. See separately printed page for this important information. The following are registered (®) trademarks of Douglas Dynamics, L.L.C.: FISHER®, Minute Mount® 2.

Printed in U.S.A.