



**Fisher Engineering**

50 Gordon Drive, Rockland, Maine 04841-2139 • www.fisherplows.com

**69400  
69450-1**

December 15, 2021  
Lit. No. 69828, Rev. 04

**HT  
SERIES™**

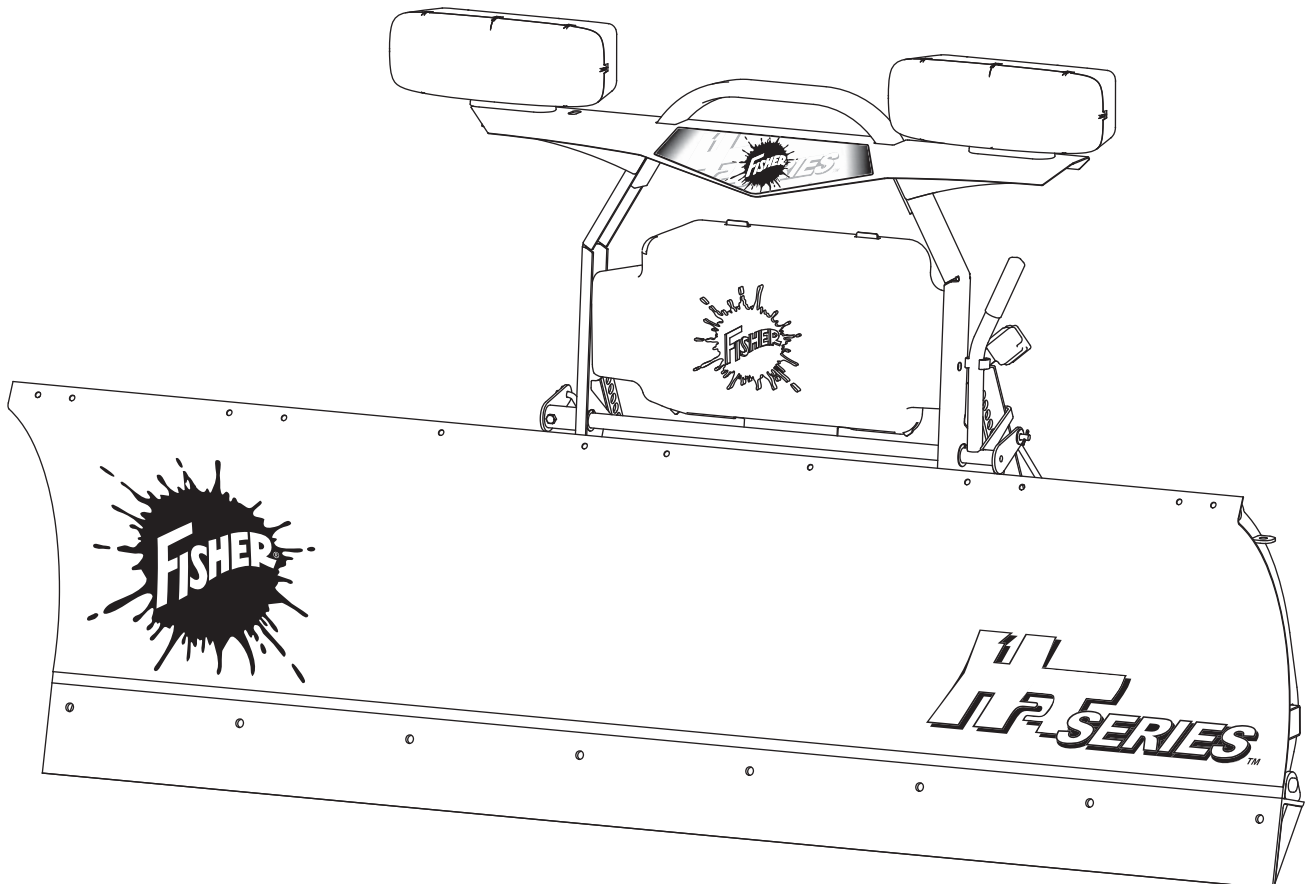


**Minute<sup>2</sup>  
SYSTEM**

## Blade and Off-Truck Kit

### HT Series™ Snowplow

#### Parts List





**HT Series™ BLADE** ..... 4

**HT Series OFF-TRUCK KITS** ..... 6

    Headgear and A-Frame Components ..... 6

    Hydraulic Unit Components ..... 8

    Lift and Angle Ram Components ..... 10

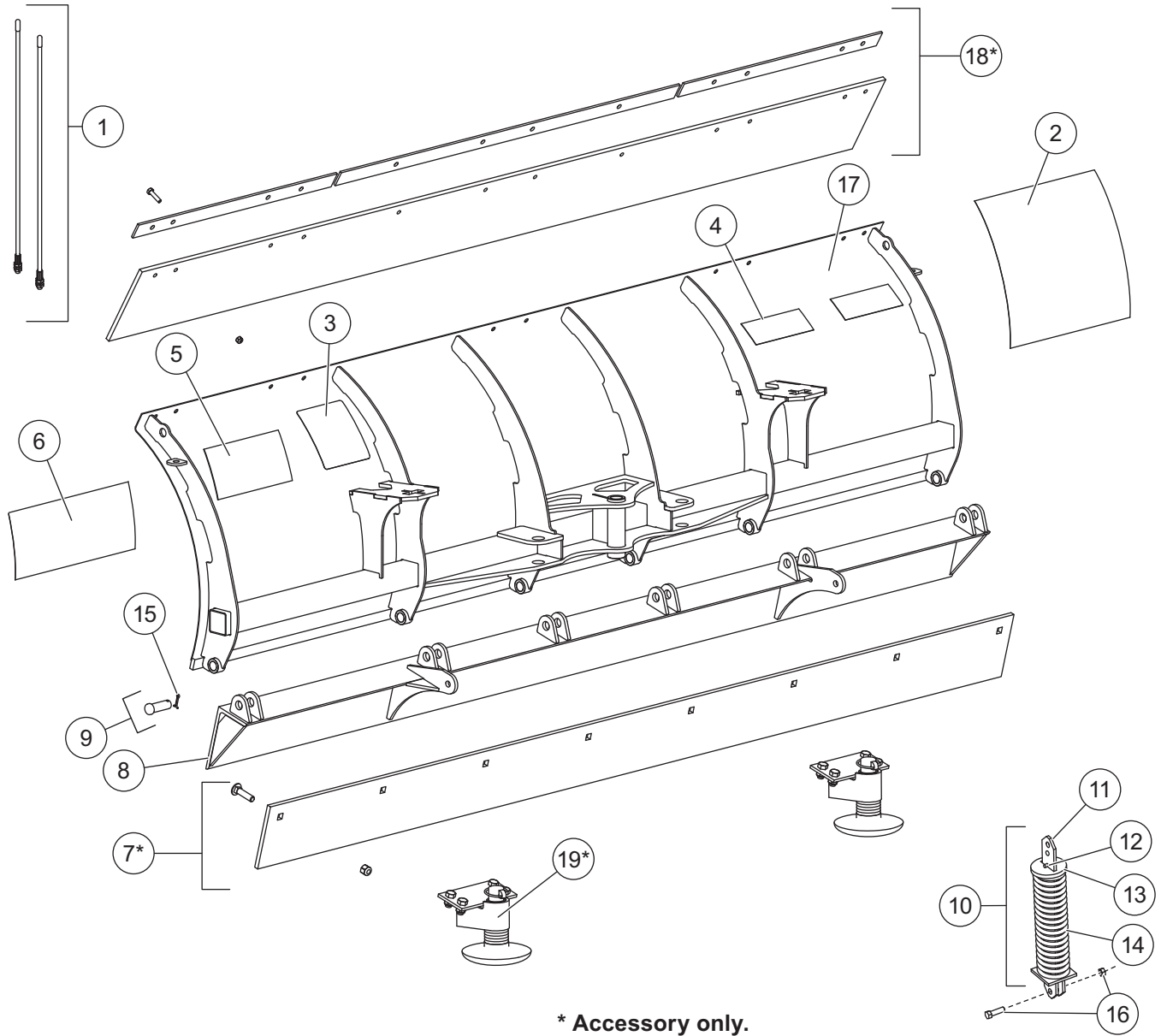
    Hoses and Fittings ..... 10

    Electrical Components ..... 11

    Vehicle-Side Harness Diagram – 3-Port, 2-Plug System ..... 12

    Headlamp Kit ..... 13

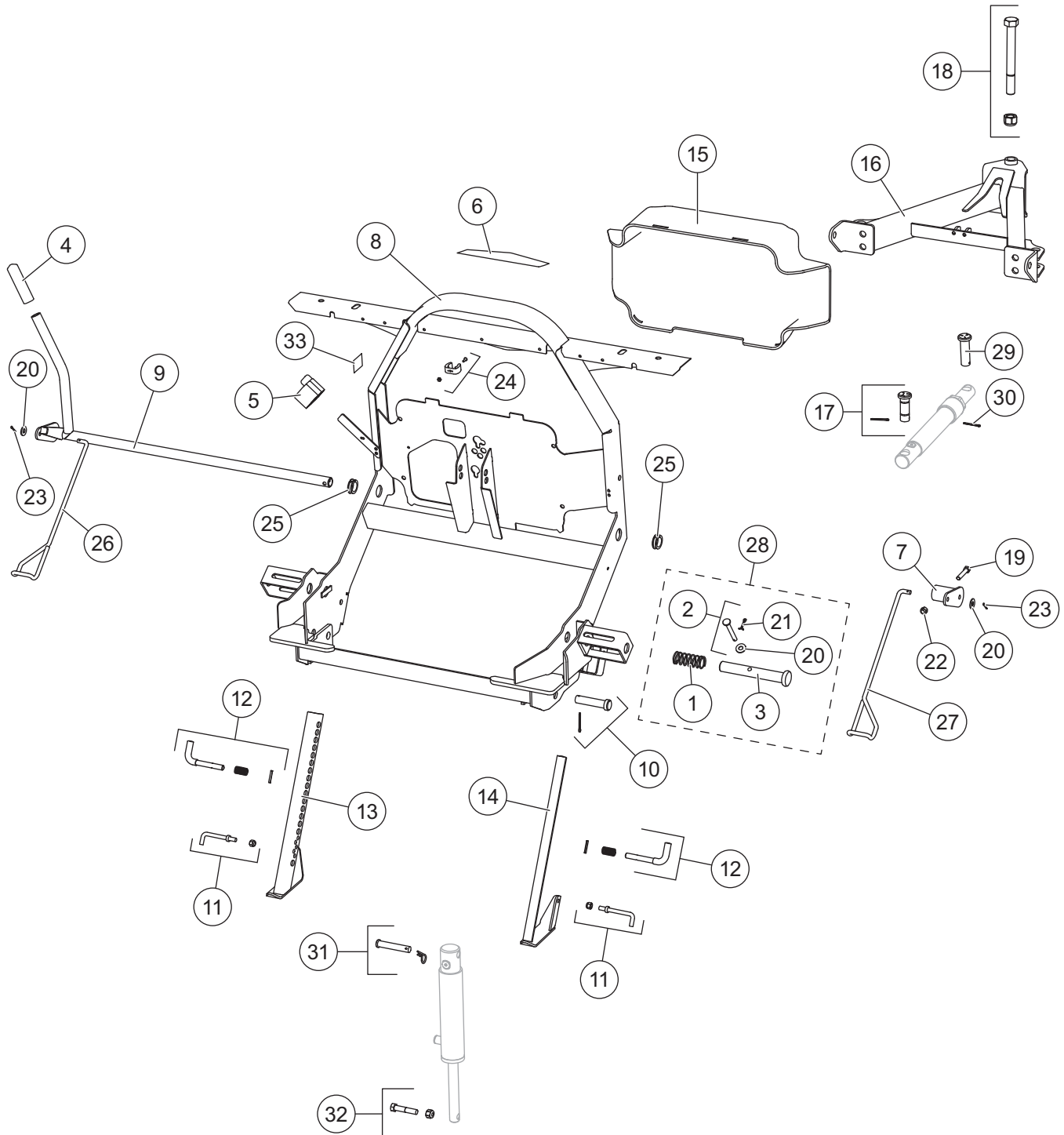
Blade Components



69400 Blade Components							
Item	Part	Qty	Description	Item	Part	Qty	Description
1	27195	1	Blade Guides (set of 2)	11	21450	2	Removable Spring Bar
2	20238	1	Label – Splatter 13-1/4 x 14-1/2	12	20181	2	1/4 x 1-1/4 Pin
3	59900	1	Label – Warning/Caution, Snowplows	13	20191	2	Removable Spring Disc
4	26211	1	Label – Logo, STORM GUARD™	14	5323	2	Trip Spring
5	69759	1	Label – Warning, Attach/Detach	15	90658	6	5/32 x 1-1/4 Pin
6	96361	1	Label – Logo, HT Series™	16	40905	2	Shoulder Bolt & Locknut Packet
7*	5532	1	3/8 Steel Cutting Edge Kit 7'6"	17	69700	1	Blade
ns*	50678	1	1/2 Steel Cutting Edge Kit 7'6"	18*	69605	1	Rubber Deflector Kit
8	69622	1	Base Angle Kit	19*	27880	1	Shoe Kit (pair)
9	84844	6	3/4 x 2-3/16 Machine Pin w/Cotter	ns*	69660	1	SnoFoil® Assembly Kit
10	21452	2	Removable Spring Assembly	ns*	44405	1	Curb Guard Kit (pair)
ns = not shown							

\* Accessory only.

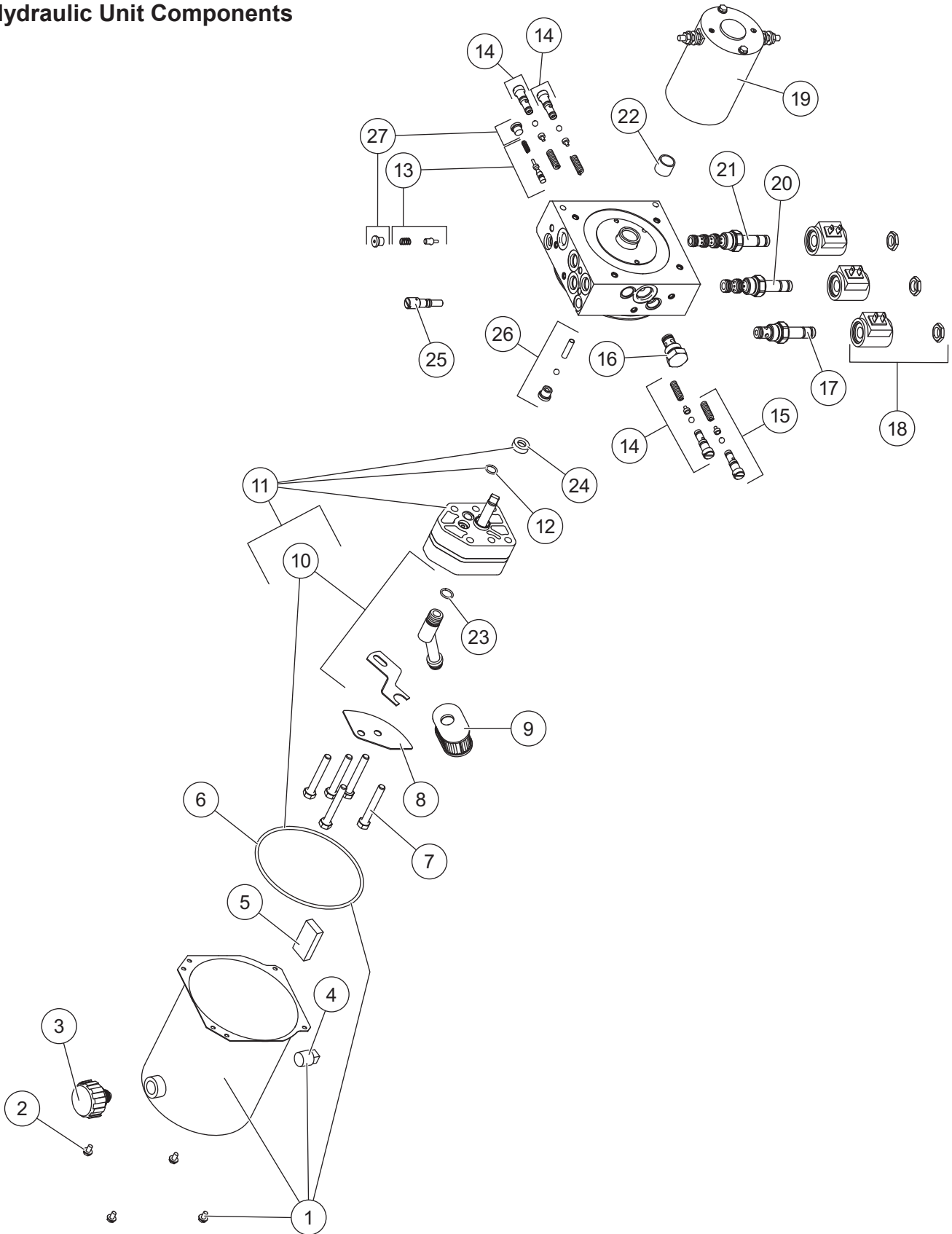
Headgear and A-Frame Components



HT Series™ Headgear and A-Frame Components							
Item	Part	Qty	Description	Item	Part	Qty	Description
1	821	2	3/4 x 3-1/2 Compression Spring	18	69667	1	Bolt Kit
2	26219	1	Clevis Pin Kit	19	90043	1	3/8-16 x 2 Hex Cap Screw G5
3	26833	2	1 x 6-15/16 Pin	20	90315	4	3/8 Flat Washer
4	27535	1	Handle Cover Kit	21	90658	2	5/32 x 1-1/4 Cotter Pin
5	8284K	1	Cable Boot	22	91333	1	3/8-16 Hex Locknut GB
6	69371	1	Headgear Label	23	91902	1	1/8 x 1 Cotter Pin
7	69683	1	Link Arm	24	27162K-1	1	Stop Clip Kit
8	69832	1	Headgear	25	27163K	1	Bushing Kit (pkg of 2)
9	69838	1	Handle, Link Arm Assembly	26	27166K	1	Wire Cam Kit – DS
10	69607	2	Clevis Pin Kit	27	27167K	1	Wire Cam Kit – PS
11	27164K	2	Handle Kit	28	27168K	2	Connecting Pin Kit
12	69618	2	Stand Pin Release Kit	29	93074	2	1 x 3-1/4 Clevis Pin
13	69842	1	HT Jack Leg – DS	30	91911	2	5/32 x 1-1/2 Cotter Pin
14	69843	1	HT Jack Leg – PS	31	50653	1	5/8 x 3-1/2 Pin Kit
15	69650	1	Hydraulic Cover	32	69669	1	Lift Ram Pin Kit (rod)
16	69523	1	A-Frame	33	69689	1	Label – Logo, SECURITY GUARD™
17	69666	2	Pin Kit				

G = Grade

Hydraulic Unit Components



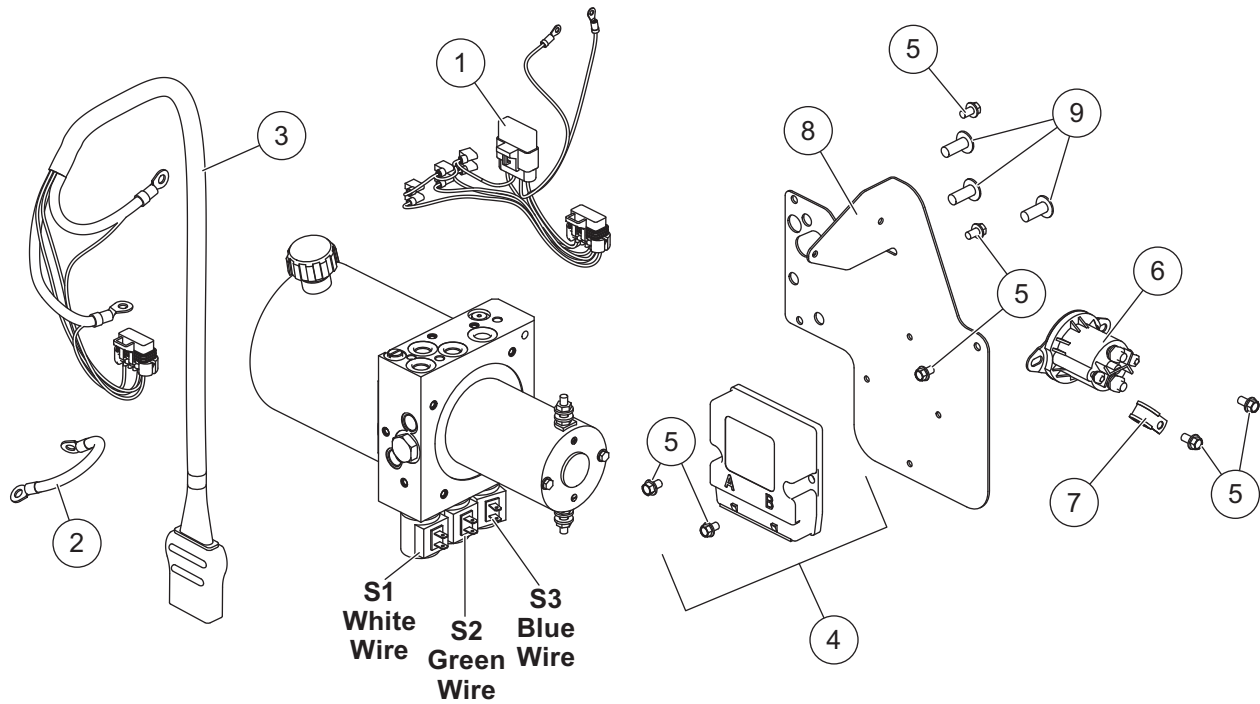


48552 HT Series™ Hydraulic Unit							
48553 HT Series Hydraulic Unit Service Kit†							
Item	Part	Qty	Description	Item	Part	Qty	Description
1	48538	1	Reservoir Kit	14	7629K-4	2	Relief Valve Kit (2 sets)
2	66607	4	#10-24 x 5/16 Slotted Hex Washer-Head Machine Screw	15	27792-1	1	Relief Valve Repair Kit
3	21727-2	1	Breather 3/8 NPT Kit	16	44333-1	1	Check Valve CV08-20
4	92079	1	Plug, Square 3/8 NPTF	17	7634K-2	1	Valve, 2-Way w/Nut
5	73897	1	Magnet	18	7639K-2	3	Coil w/Spade Terminals
6	66519	1	O-Ring 2-250	19	48543-1	1	Motor Assembly 3"
7	90073	5	5/16-18 x 2-1/4 Hex Cap Screw G5	20	66608K-1	1	Cartridge Valve, 3-Way w/Nut
8	48464	1	Plate Baffle	21	7637K-1	1	Cartridge Valve, 4-Way w/Nut
9	26781-4	1	Suction Filter	22	64596-1	1	Bearing, Sleeve
10	66763-1	1	Inlet Fitting/Filter Kit	23	56416	1	O-Ring -014
11	21501-1	1	Hydraulic Pump Kit – IA	24	66515	1	Pump Shaft Seal
12	56274	1	O-Ring -013	25	48517	1	Quill
13	7630K	1	Poppet Check Valve Kit	26	48518	1	Check Valve Assembly
				27	92960	2	Plug, Hex Socket –3 M ORB
O-Ring Service Kits							
ns	7632K-5	–	O-Ring & Back-Up Ring Kit	ns	49259-2	–	Seal Kit Cartridge, 3-Way and 4-Way Valve
ns	49258-2	–	Seal Kit, 2-Way Valve				
ns = not shown			M = Male		G = Grade		

† Includes 48552 hydraulic unit and plow-side electrical components (p. 11).



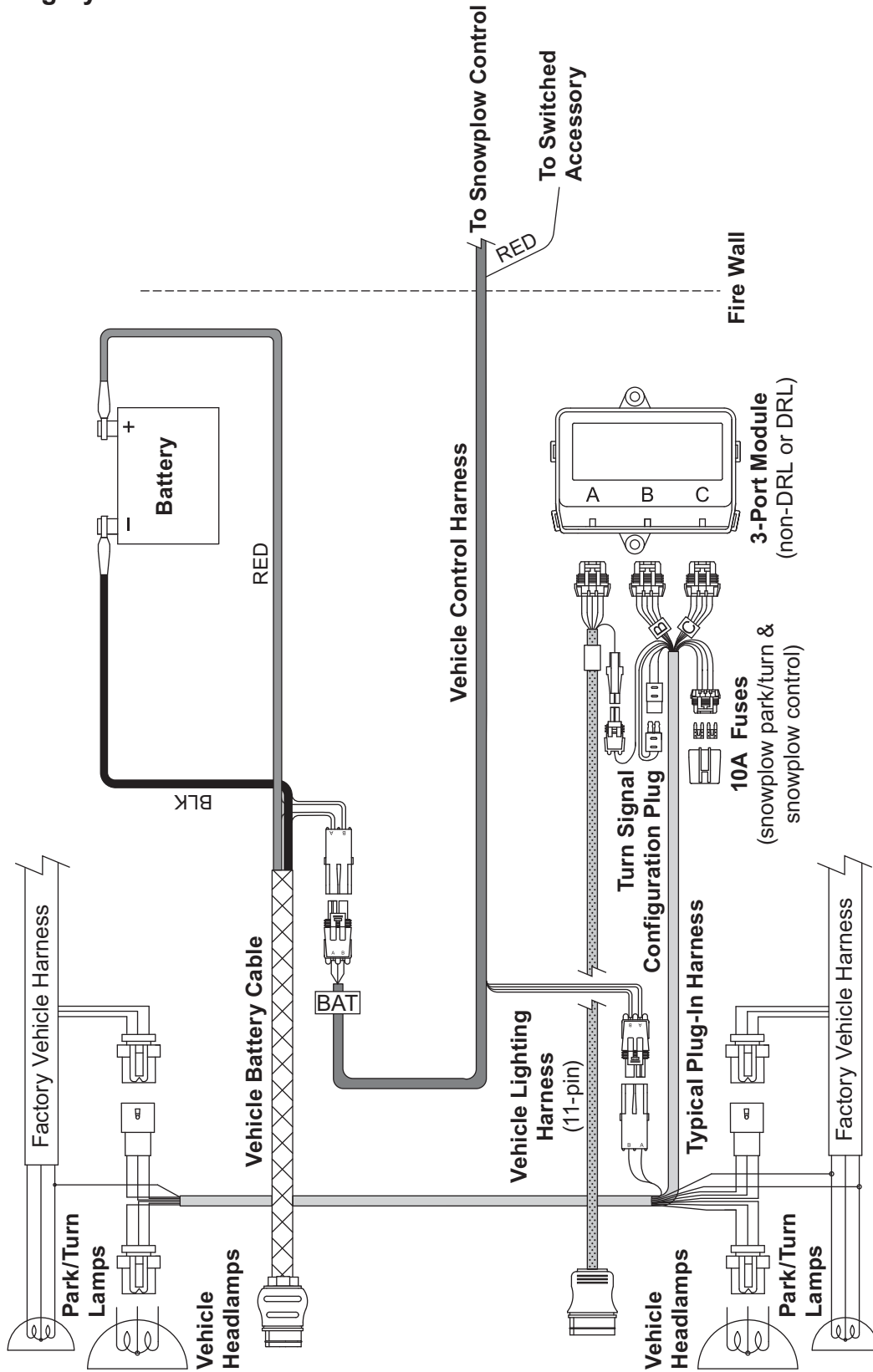
**Electrical Components**



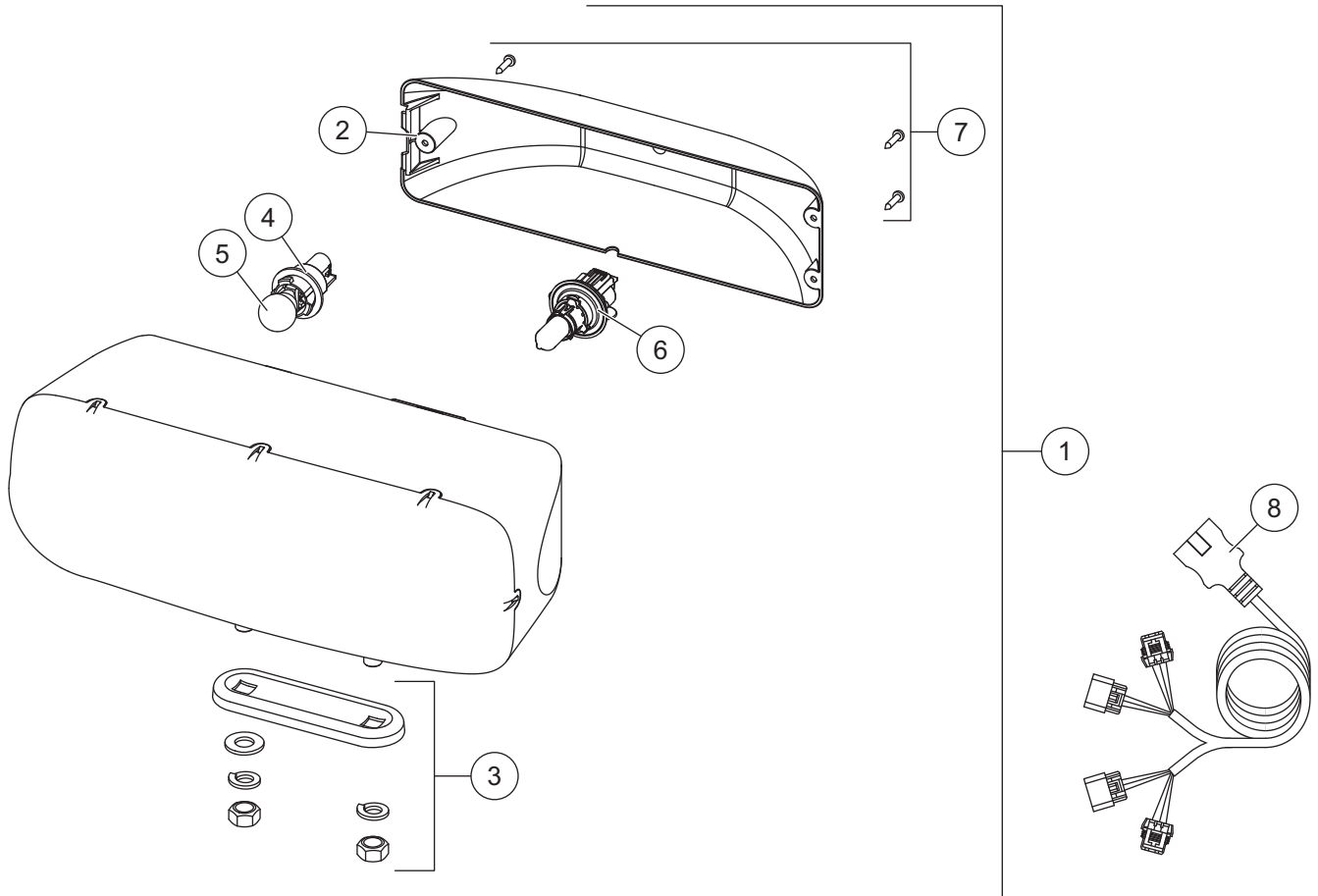
Plow-Side Electrical Components							
Item	Part	Qty	Description	Item	Part	Qty	Description
1	28581-1	1	Harness Plow Control, 3-Solenoid	6	42901	1	Motor Relay Kit – FLEET FLEX System
2	29071	1	Cable Assembly 8"	7	65340	1	Clamp Loop #10
3	42015	1	Snowplow Battery Cable	8	48522	1	Hydraulic Plate
4	49567	1	Plow Module, 2-Port	9	98043	3	3/8-16 x 1 Button Cap Screw
5	43988	7	1/4-20 x 3/8 Hex Washer-Head Thread-Rolling Screw				
Vehicle-Side Electrical Components							
*	42014	1	Vehicle Battery Cable	ns	61548K	1	Plug Cover Kit
*	28587	1	Vehicle Control Harness				

\* For diagram see Vehicle-Side Harness Diagram.

Vehicle-Side Harness Diagram  
3-Port, 2-Plug System



Headlamp Kit



28800-1 Headlamp Kit (pair)							
Item	Part	Qty	Description	Item	Part	Qty	Description
1	28801-1	1	Headlamp Service Kit – DS	5		2	Park/Turn Bulb (trade no. 4157NAK)
ns	28802-1	1	Headlamp Service Kit – PS	6	28806	2	Headlamp Bulb Service Kit H13
2	28803-1	2	Rear Cover Kit (fits 2- or 3-screw)	7	28808-1	2	Cover Screws Service Kit (pkg of 3)
3	28804	2	Mounting Hardware Kit	8	28213K	1	Harness Service Kit
4	28805	2	Park/Turn Socket Service Kit				

ns = not shown



Fisher Engineering  
50 Gordon Drive  
Rockland, ME 04841-2139  
[www.fisherplows.com](http://www.fisherplows.com)

**A DIVISION OF FISHER, LLC**

Copyright © 2021 Douglas Dynamics, LLC. All rights reserved. This material may not be reproduced or copied, in whole or in part, in any printed, mechanical, electronic, film, or other distribution and storage media, without the written consent of Fisher Engineering. Authorization to photocopy items for internal or personal use by Fisher Engineering outlets or snowplow owner is granted.

Fisher Engineering reserves the right under its product improvement policy to change construction or design details and furnish equipment when so altered without reference to illustrations or specifications used. Fisher Engineering or the vehicle manufacturer may require or recommend optional equipment for snow removal. Do not exceed vehicle ratings with a snowplow. Fisher Engineering offers a limited warranty for all snowplows and accessories. See separately printed page for this important information. The following are registered (®) or unregistered (™) trademarks of Douglas Dynamics, LLC: FISHER®, HT Series™, Minute Mount® 2, SECURITY GUARD™, SnoFoil®, STORM GUARD™.

**Printed in U.S.A.**