



Fisher Engineering

50 Gordon Drive, Rockland, Maine 04841-2139 • www.fisherplows.com

**50810
92000-1**

December 15, 2021
Lit. No. 85305, Rev. 07



Blade and Off-Truck Kit

XLS™ Snowplow

Parts List

XLS™ BLADE COMPONENTS 4

XLS OFF-TRUCK KITS 6

 Headgear and A-Frame 6

 Hydraulic Unit..... 8

 Hydraulic Unit Cover Assembly 10

 Lift and Angle Rams 11

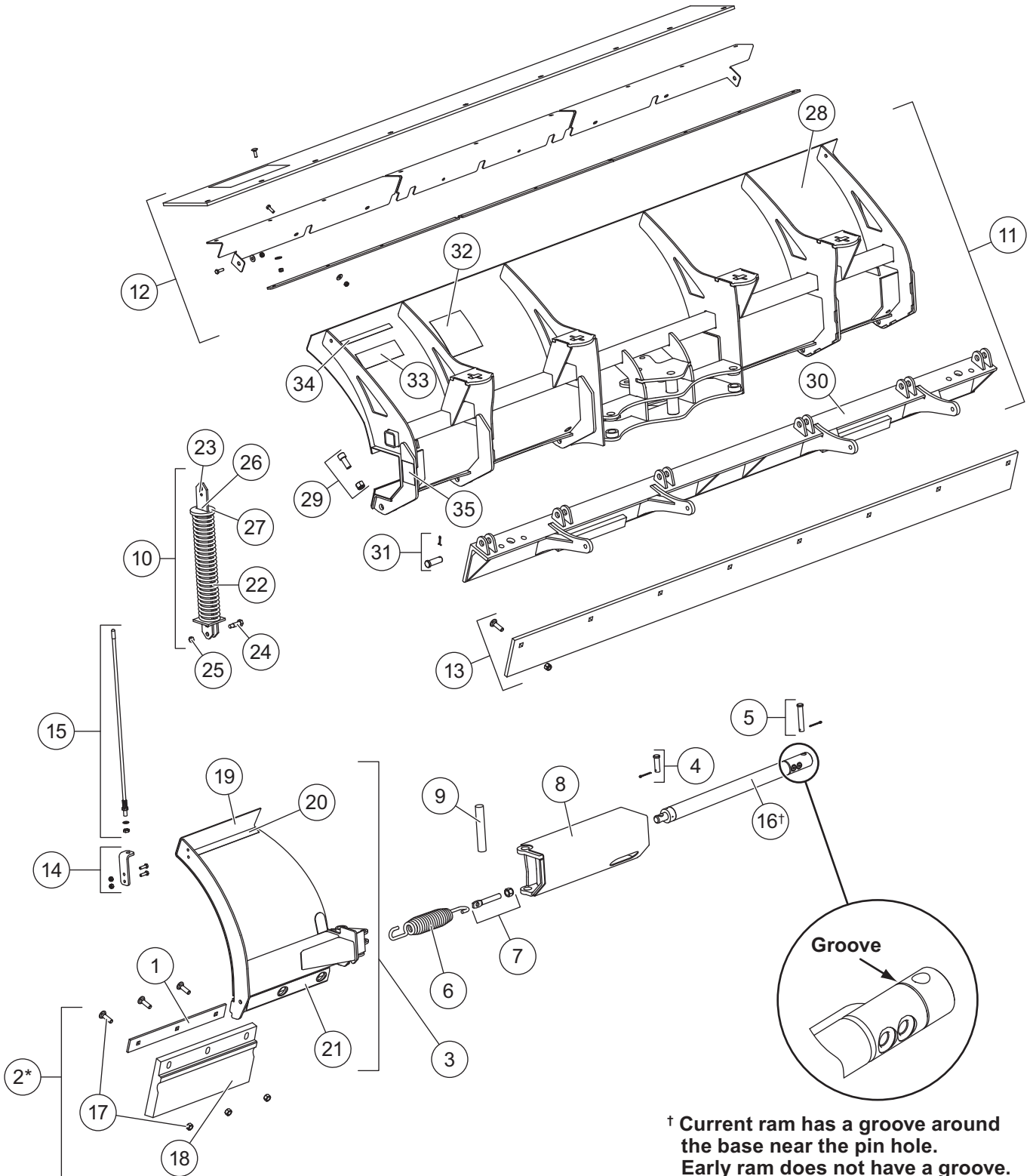
 Hoses and Fittings 11

 Electrical Components..... 12

 Vehicle-Side Harness Diagram – 3-Port, 2-Plug Systems 13

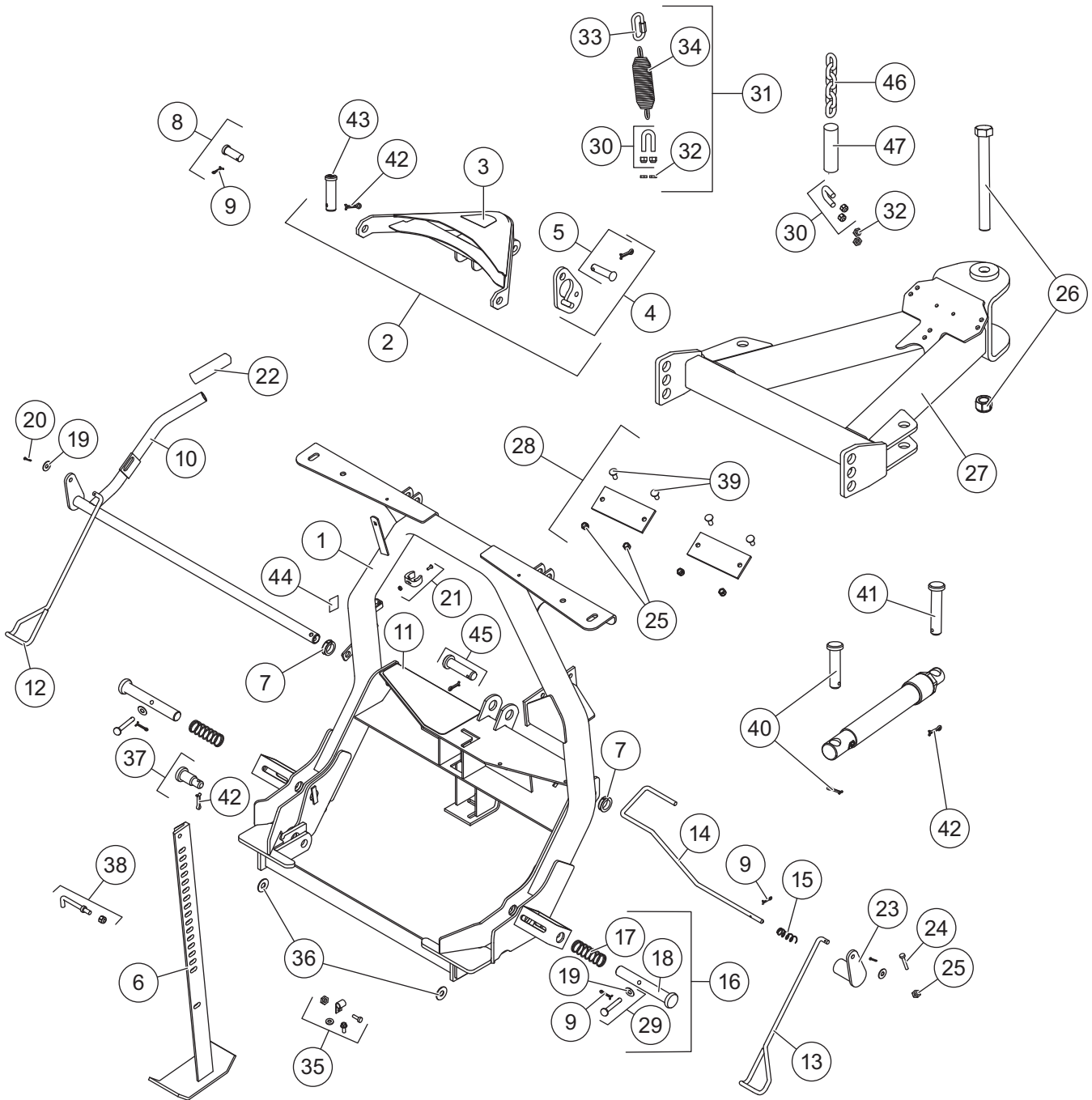
 Headlamp Kit 14

Blade Components



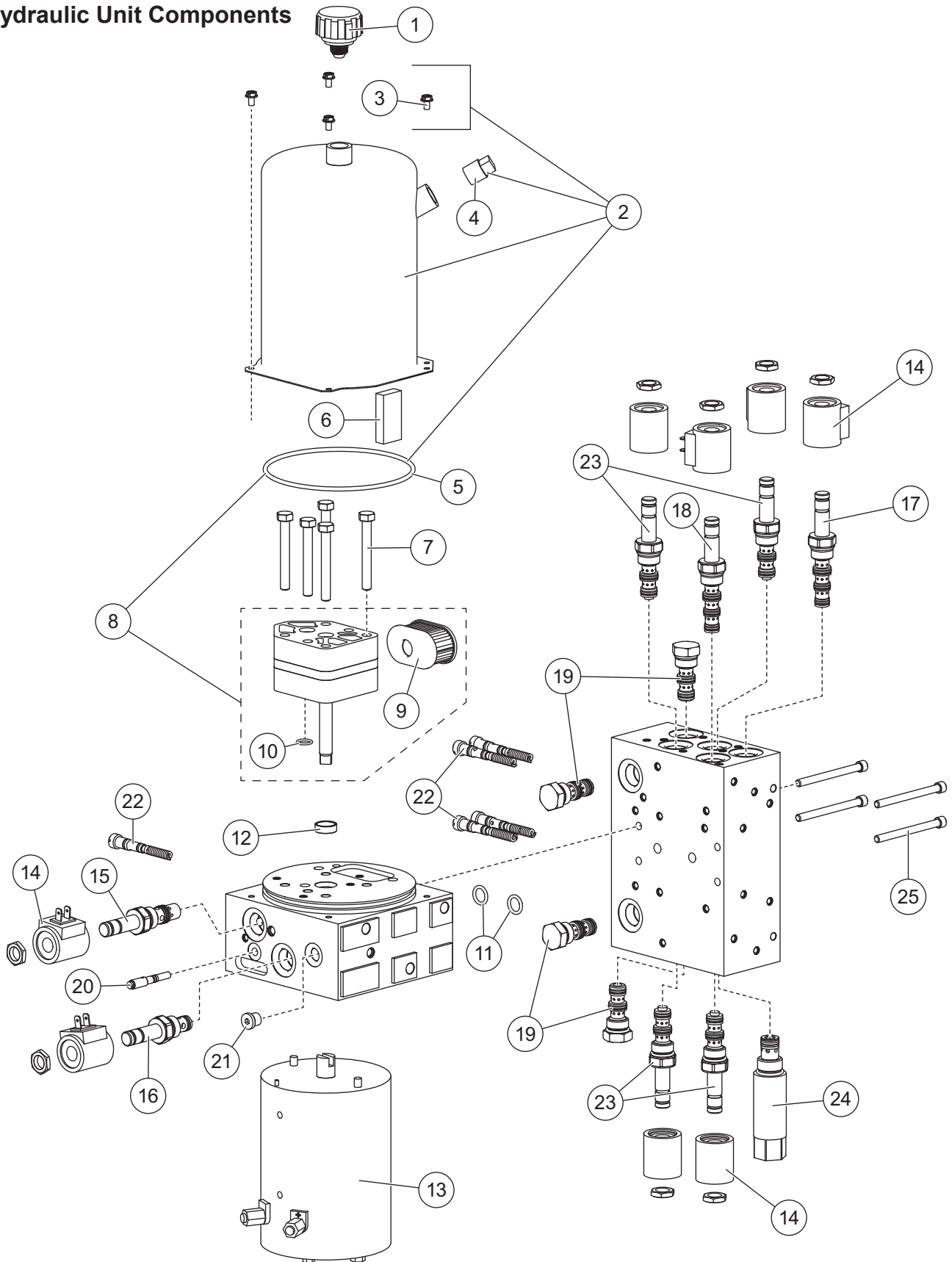
50810 XLS™ Blade							
Item	Part	Qty	Description	Item	Part	Qty	Description
1	50643	2	Retainer Bar	10	50665	4	Spring Assembly Kit
2	50626	1	Urethane Edge Assembly Kit (does not include retainer bar)	11	50666	1	XLS Blade Assembly
3	50647	1	DS Blade Wing, XLS	12	50628-1	1	Rubber Deflector Kit – XLS
ns	50648	1	PS Blade Wing, XLS	13	50678	1	Cutting Edge Kit
4	50651	2	5/8 x 2 Pin Kit	14	50646	1	Blade Guide Bracket Kit
5	50653	2	5/8 x 3-1/2 Pin Kit	15	27195	1	Flexible Blade Guide Kit, 26"
6	50654	2	Wing Spring	16†	50440	2	Hydraulic Cylinder, Slide Box (early ram – see callout on diagram)
7	50655	2	Eyebolt Kit		43803	2	Ram Assembly 1-1/2 x 13-15/16 DA (current ram – see callout on diagram)
8	50656	1	DS Blade Slide Box, XLS	ns	B60373	2	Combo Seal Kit, Cylinder 50440
ns	50657	1	PS Blade Slide Box, XLS	ns	43794	2	Seal Kit, Ram Assembly 43803
9	50660	2	Wing Pin				
Item 2				50626 Urethane Edge Assembly Kit			
17	50642	2	Bolt Kit, Urethane Edge	18	50645	2	Urethane Edge
Item 3				50647 DS Blade Wing, XLS			
19		1	DS Blade Wing, XLS	21	50638	1	Wear Strip – Wing Bottom
20	50639	1	Wear Strip – Wing Top	ns	29639	1	Label – Logo, XLS Wings
50648 PS Blade Wing, XLS				50665 Spring Assembly Kit			
		1	PS Blade Wing, XLS	25	90353	1	7/16-14 Hex Locknut GB
20	50639	1	Wear Strip – Wing Top	26	20181	1	1/4 x 1-1/4 Pin
				27	20191	1	Removable Spring Disk
Item 10				50666 XLS Blade Assembly			
22	50663	1	Trip Spring	33	26211	1	Label – Logo, STORM GUARD™
23	50664	1	Spring Bar	34	50604	1	Label – Logo, XLS, 8'-10'
24	91000	1	1/2 x 1-5/8 Hex Shoulder Bolt G5	35	29593	2	Label – Warning, Multiple Pinch Points
28		1	XLS Blade	ns	20238	1	Label – Logo, FISHER® Splatter
29	50661	2	Stop Bolt Kit	ns	29535	1	Label – Logo, XLS
30	50662	1	Base Angle				
31	84844	6	3/4 x 2-3/16 Machine Pin w/Cotter				
32	59900	1	Label – Warning/Caution, Snowplows				
ns = not shown				G = Grade			

Headgear and A-Frame Components



XLS™ Headgear and A-Frame Components							
Item	Part	Qty	Description	Item	Part	Qty	Description
1	44558-2	1	Headgear	25	91333	1	3/8-16 Hex Locknut GB
2	28350-2	1	Lift Arm Service Kit (yellow)	26	50668	1	Pivot Bolt Kit
3	26777	1	Label – Nameplate, Minute Mount® 2	27	50669	1	A-Frame Kit
4	28991	1	Stop Link Kit	28	50632	1	Stacking Stops Kit
5	29037	1	5/8 x 2-5/8 Clevis Pin w/Cotter	29	26219	2	3/8 x 3-1/4 Clevis Pin Kit
6	27462	1	Jack	30	A6148K	3	U-Bolt Assembly Packet
7	27163K	1	Bushing Kit (pkg of 2)	31	49521	1	Spring/U-Bolt/Link Kit
8	4289K	2	3/4 x 1-7/8 Machine Pin Packet	32	91413	2	3/8-16 Hex Nut G5
9	90658	5	5/32 x 1-1/4 Cotter Pin	33	68340	1	Quick Link
10	27468	1	Handle, Link Arm Assembly	34	27074	1	Spring
11	27451	1	Label – Attach/Detach, MM2 Headgear	35	27172K	1	Clamp Loop Kit
12	27166K	1	Wire Cam Kit – DS	36	91192	2	1-3/4 Round Flat Washer
13	27167K	1	Wire Cam Kit – PS	37	27177K	2	Step Pin Kit
14	27478	1	Jack Lock	38	27164K	1	Handle Kit
15	27461	1	3/4 OD x 3-1/2 Compression Spring	39	90201	4	3/8-16 x 1 Carriage Bolt G5
16	27168K	2	Connecting Pin Kit	40	7903K	6	1 x 4-1/16 Anchor Pin Packet w/Cotter
17	821	2	1" ID x 3-1/2 Compression Spring	41	22260	2	1 x 4-3/4 Clevis Pin
18	26833	2	1 x 6-15/16 Clevis Pin	42	90601	2	1/4 x 1-1/2 Cotter Pin
19	90315	4	3/8 Flat Washer Type A Wide	43	95720	2	1 x 3-5/16 Clevis Pin HT
20	91902	1	1/8 x 1 Cotter Pin	44	69689	1	Label – Logo, SECURITY GUARD™
21	27162K-1	1	Stop Clip Kit	45	43603	1	1 x 3-3/4 Clevis Pin Kit
22	27535	1	Handle Cover Kit	46	26999-1	1	5/16 Grade 43 Chain Bag
23	27465	1	Link Arm	47	51110	2	Shrink Tube, 1" ID
24	90043	1	3/8-16 x 2 Hex Cap Screw G5				
Item 2 28350-2 Lift Arm Service Kit (yellow)							
		1	Lift Arm	42	90601	1	1/4 x 1-1/2 Cotter Pin
3	26777	1	Label – Nameplate, Minute Mount 2	43	95720	1	1 x 3-5/16 Clevis Pin HT
4	28991	1	Stop Link Kit				
Item 4 28991 Stop Link Kit							
		1	Stop Link	5	29037	1	5/8 x 2-5/8 Clevis Pin w/Cotter
Item 5 29037 5/8 x 2-5/8 Clevis Pin w/Cotter							
		1	5/8 x 2-5/8 Clevis Pin			1	1/4 x 1-1/2 Cotter Pin
Item 8 4289K 3/4 x 1-7/8 Machine Pin Packet							
		1	Pin	9	90658	1	5/32 x 1-1/4 Cotter Pin
Item 16 27168K Connecting Pin Kit							
17	821	1	1" ID x 3-1/2 Compression Spring	29	26219	1	3/8 x 3-1/4 Clevis Pin Kit
18	26833	1	1 x 6-15/16 Clevis Pin				
Item 28 50632 Stacking Stops Kit							
		2	Stacking Stop	39	90201	4	3/8-16 x 1 Carriage Bolt G5
25	91333	4	3/8-16 Hex Locknut GB				
Item 29 26219 3/8 x 3-1/4 Clevis Pin Kit							
		1	3/8 x 3-1/4 Clevis Pin	19	90315	4	3/8 Flat Washer Type A Wide
9	90658	1	5/32 x 1-1/4 Cotter Pin				
Item 31 49521 Spring/U-Bolt/Link Kit							
30	A6148K	1	U-Bolt Assembly Packet	33	68340	1	Quick Link
32	91413	2	3/8-16 Hex Nut G5	34	27074	1	Spring
Item 37 27177K Step Pin Kit							
		1	Step Pin	42	90601	1	1/4 x 1-1/2 Cotter Pin
			HT = Heat Treated				G = Grade

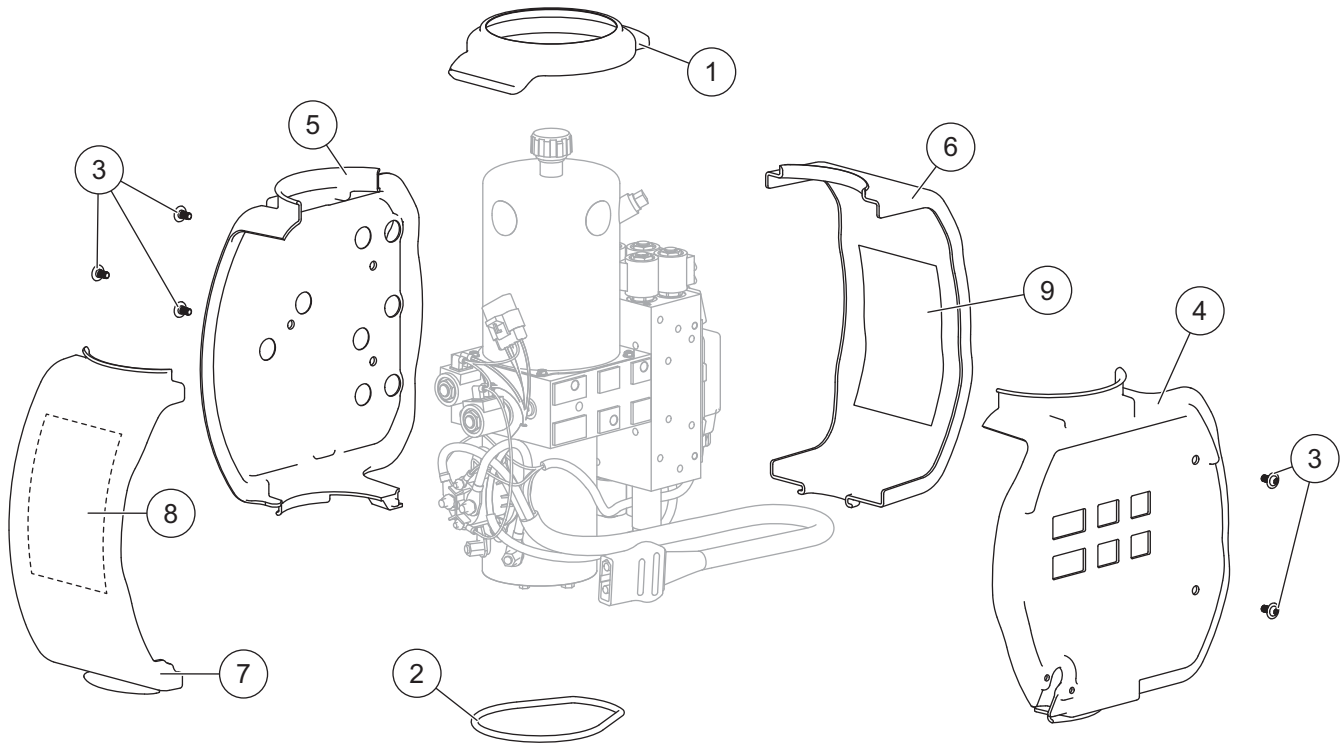
Hydraulic Unit Components



49451 Hydraulic Unit Components – XLS™							
Item	Part	Qty	Description	Item	Part	Qty	Description
1	21727-2	1	Breather Pressure Control	17	49453	1	Valve, SV08-45 w/Nut
2	44327-3	1	Reservoir Kit	18	49457	1	Valve, SV08-41 w/Nut
3	66607	4	#10-24 x 5/16 Machine Screw	19	49459	4	Valve, PC08-30 w/Nut
4	92079	1	Plug, Square 3/8 NPTF	20	56662	1	Quill Assembly 5/16-24 Thread
5	66519	1	O-Ring 2-250		48517	1	Quill Assembly 1/2-20 Thread
6	73897	1	Magnet	21	44344	1	Plug, Hex Socket –4 M ORB
7	90080	5	5/16-18 x 2-1/2 Hex Cap Screw G5	22	7629K-4	2-1/2	Relief Valve Kit (2 sets)
8	44329-2	1	Pump Kit	23	7636K-1	4	Cartridge 30 w/Jam Nut
9	26781-3	1	Suction Filter	24	49463	1	Crossover Relief Valve – 4000 psi
10	56274	1	O-Ring -013	25	29081	4	1/4-20 x 3 Socket Cap Screw
11	55587	2	O-Ring -112	ns	29099	2	1/4-20 x 1/4 Hex Washer-Head Thread-Rolling Screw
12	66515	1	Pump Shaft Seal	ns	44326	1	1/4-20 x 1/2 6-Lobe Round Washer-Head Screw (pkg of 5)
13	21500K-1	1	Motor Assembly, 4-1/2	ns	44355	2	1/4-20 x 5/8 Hex Washer-Head Thread-Rolling Screw
14	7639K-2	8	Coil With Spade Terminals				
15	44331	1	Valve, SVCV08-20 w/Nut				
16	7634K-2	1	Valve, SV08-2004 w/Jam Nut				
O-Ring Service Kits							
–	7632K-5**	–	Back-Up/O-Ring Kit	–	49259-2	–	Seal Kit, Valves SV08-30, -31, -33, -41, -40, -43, -45, SVCV08-20 & PC08-30
–	49258-2	–	Seal Kit, Valves SV08-2004, CV08-20, SF08-2015	–	49464	–	Seal Kit, Crossover Relief Valve
ns = not shown			M = Male		G = Grade		

** Does not contain O-rings for cartridge valves.

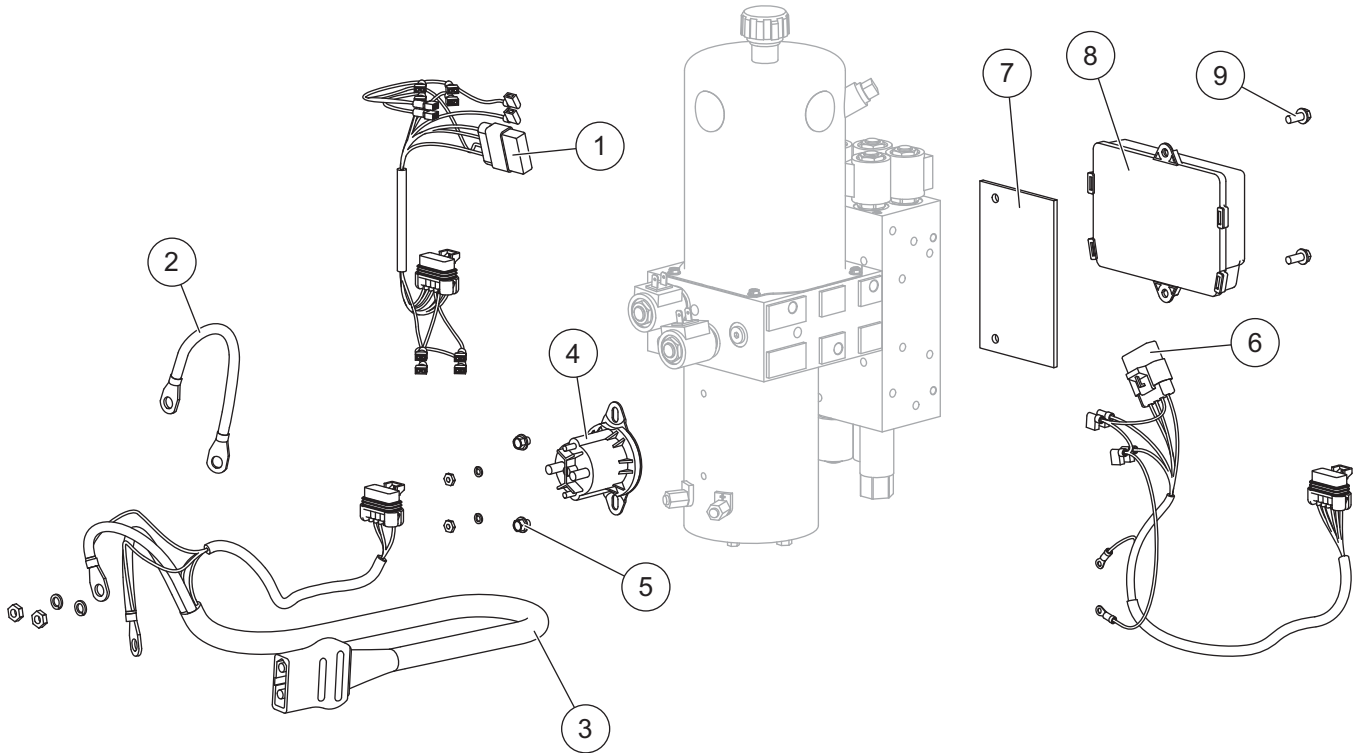
Hydraulic Unit Cover Assembly



49454 Hydraulic Unit Cover Assembly						
Item	Part	Qty	Description	Item	Part	Qty Description
1	44352	1	Top Retainer Ring	6	44303	1 Cover, Side 3
2	44366	1	Bottom Retainer Ring	7	44304	1 Cover, Side 4
3	44326	5	1/4-20 x 1/2 6-Lobe Round Washer-Head Screw (pkg of 5)	8	44904	1 Label - Information (S1 & S2)
4		1	Cover, Side 1	9	44906	1 Label - Information (S5-S10)
5		1	Cover, Side 2	ns	49444	1 Label - Logo, XLS™ Hydraulic Unit
				ns	61536	1 Cable Tie, 14"

ns = not shown

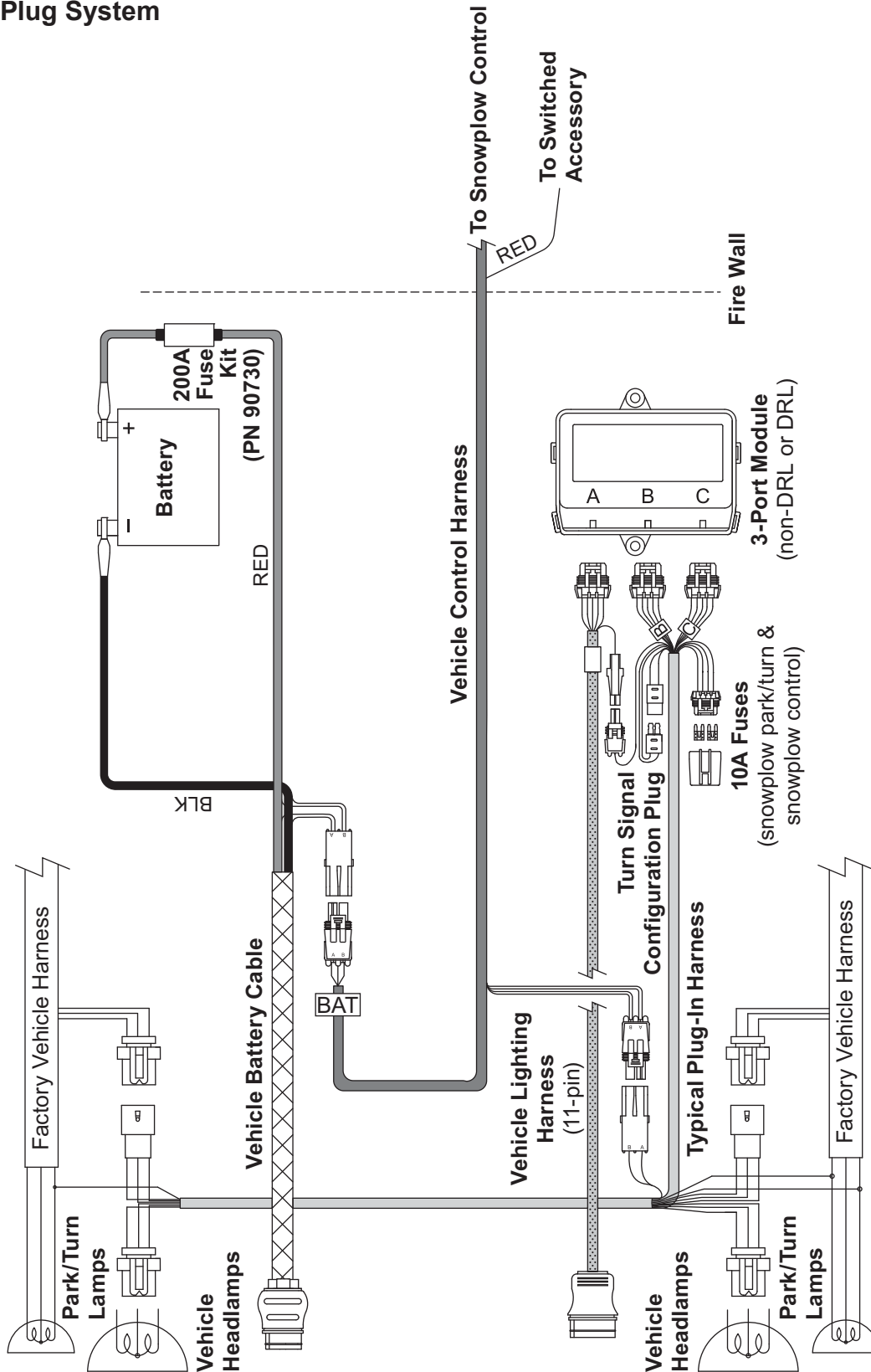
Electrical Components



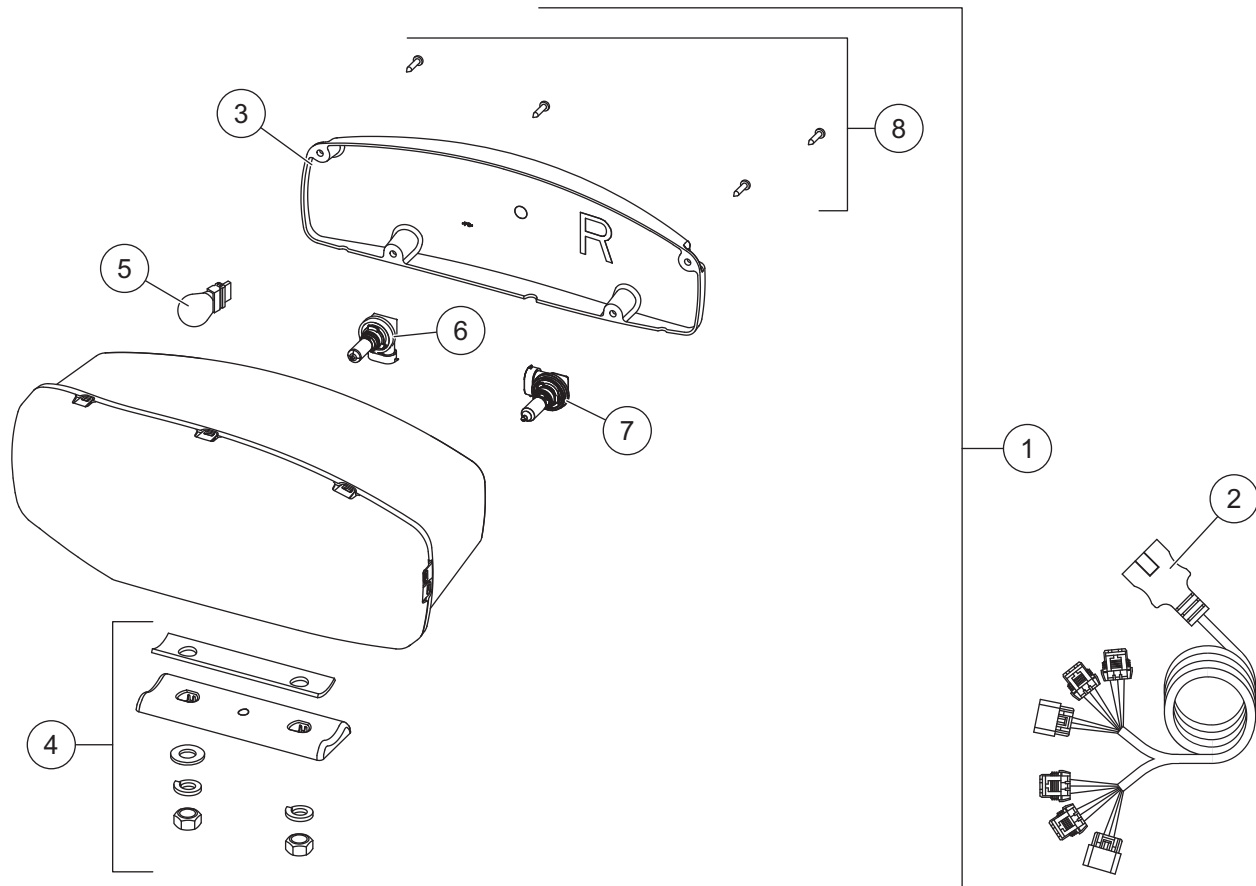
Plow-Side Electrical Components							
Item	Part	Qty	Description	Item	Part	Qty	Description
1	29471	1	Plow Control Harness, 6-Solenoid	8	44354-3	1	Plow Module
2	29071	1	Cable Assembly 8"	9	44355	2	1/4-20 x 5/8 Hex Washer-Head Thread-Rolling Screw
3	42015	1	Snowplow Battery Cable				
4	42901	1	Motor Relay Kit FLEET FLEX System	ns	8284K	1	Cable Boot
5	29099	2	1/4-20 x 1/4 Hex Washer-Head Thread-Rolling Screw	ns	8329K	2	Dielectric Grease (pkg of 2)
6	29461	1	Plow Control Harness, 2-Solenoid	ns		4	Fuse, 4A Mini Automotive-Style (for items 1 and 6)
7	44308	1	Spacer Module				
Vehicle-Side Electrical Components							
‡	42014	1	Vehicle Battery Cable	‡	90730	1	200A Fuse Kit
‡	28587	1	Vehicle Control Harness	ns	61548K	1	Plug Cover Kit
ns = not shown							

‡ For diagram see Vehicle-Side Harness Diagram – 3-Port, 2-Plug System.

**Vehicle-Side Harness Diagram
3-Port, 2-Plug System**



Headlamp Kit



38800 Headlamp Kit H9/H11 (pair)							
Item	Part	Qty	Description	Item	Part	Qty	Description
1	38802	1	Headlamp Service Kit H9/H11 – PS	2	38807	1	Harness Service Kit H9/H11
ns	38801	1	Headlamp Service Kit H9/H11 – DS				
Item 1				38801/38802 Headlamp Service Kit H9/H11 – PS/DS			
3	38803	1	Rear Cover Kit H9/H11 – PS	6	38811	1	Headlamp Bulb Service Kit H11
ns	38812	1	Rear Cover Kit H9/H11 – DS	7	38809	1	Headlamp Bulb Service Kit H9
4	38804	1	Mounting Hardware Kit H9/H11	8	38808	1	Cover Screws Service Kit H9/H11 (pkg of 4)
5		1	Park/Turn Bulb (trade no. 4157NAK)				
ns = not shown							



Fisher Engineering
50 Gordon Drive
Rockland, ME 04841-2139
www.fisherplows.com

A DIVISION OF FISHER, LLC

Copyright © 2021 Douglas Dynamics, LLC. All rights reserved. This material may not be reproduced or copied, in whole or in part, in any printed, mechanical, electronic, film, or other distribution and storage media, without the written consent of Fisher Engineering. Authorization to photocopy items for internal or personal use by Fisher Engineering outlets or snowplow owner is granted.

Fisher Engineering reserves the right under its product improvement policy to change construction or design details and furnish equipment when so altered without reference to illustrations or specifications used. Fisher Engineering or the vehicle manufacturer may require or recommend optional equipment for snow removal. Do not exceed vehicle ratings with a snowplow. Fisher Engineering offers a limited warranty for all snowplows and accessories. See separately printed page for this important information. The following are registered (®) or unregistered (™) trademarks of Douglas Dynamics, LLC: FISHER®, Minute Mount® 2, SECURITY GUARD™, STORM GUARD™, XLS™.

Printed in U.S.A.