

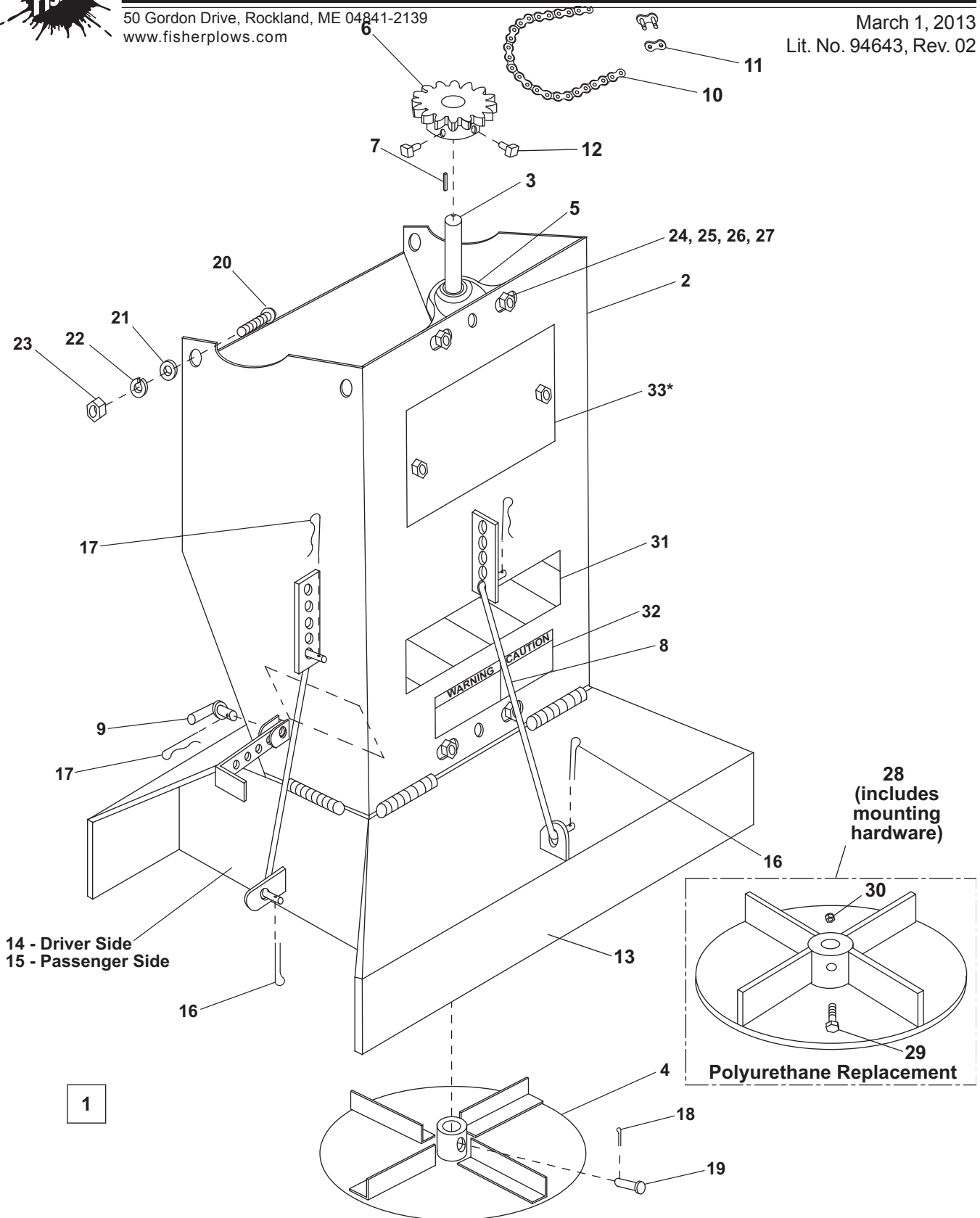


FISHER ENGINEERING

50 Gordon Drive, Rockland, ME 04841-2139
www.fisherplows.com

High Capacity Chute Assembly Parts List - 9107, 9108, 68920, 68921

March 1, 2013
Lit. No. 94643, Rev. 02



This parts list is for FISHER® Hopper Spreaders with serial numbers 4809 and 7663.

High Capacity Chute Assembly Parts List - 9107, 9108, 68920, 68921

High Capacity Chute Assembly Parts List							
Item	Part	Qty	Description	Item	Part	Qty	Description
1	9108	1	Chute Assembly – 19" High Capacity MS	15	68874	1	Baffle Kit, PS MS
1	68921	1	Chute Assembly – 19" High Capacity SS	15	68875	1	Baffle Kit, PS SS
1	9107	1	Chute Assembly – 31" High Capacity MS	16	91004	3	1/8 x 3/4 Cotter Pin
1	68920	1	Chute Assembly – 31" High Capacity SS	17	9261	5	3/32 x 2-1/4 Hairpin Cotter
2	65631	1	Chute Housing Assembly – 19" High Capacity MS	18	91022	1	1/16 x 1/2 Cotter Pin
2	94384	1	Chute Housing Assembly – 19" High Capacity SS	19	20351	1	1/4 x 2 Clevis Shear Pin
2	20318	1	Chute Housing Assembly – 31" High Capacity MS	20	90965	4	3/8-16 x 1 Carriage Bolt
2	94383	1	Chute Housing Assembly – 31" High Capacity SS	20	91023	4	3/8-16 x 1 Carriage Bolt SS
3	65633	1	Spinner Shaft High Capacity 19" Chute	21	90315	4	3/8 Plain Washer
3	20320	1	Spinner Shaft High Capacity 31" Chute	21	91006	4	3/8 Plain Washer SS
4	20321	1	Spinner Disk, High Capacity MS	22	90361	4	3/8 Lock Washer
4	94319	1	Spinner Disk, High Capacity SS	22	91007	4	3/8 Lock Washer SS
5	65636	2	1" Pillow Block Bearing	23	90334	4	3/8-16 Hex Nut
6	65637	1	Sprocket, #40 x 24 T x 1" ID	23	91008	4	3/8-16 Hex Nut Stainless Steel
7	20324	1	Machine Key, 1/4" Square x 1"	24	94321	4	7/16-14 x 1-1/2 Carriage Bolt
8	9195	3	Control Rod – 10"	25	94322	4	7/16 Plain Washer SS
9	65206	2	Adjustment Pin	26	94323	4	7/16 Lock Washer SS
10	68431	1	#40 Roller Chain, 30-1/2" Long with Master Link	27	94324	4	7/16-14 Hex Nut SS
11	20353	1	#40 Roller Chain Master Link	28	94513	1	Spinner Kit (Polyurethane)
12	68843	1	Parts Bag – Spinner Set Screws	29	94498	1	1/4-20 x 2-1/4 Hex Cap Screw SS
13	68817	1	Baffle Kit, Rear – High Capacity MS	30	67076	1	1/4-20 Hex Locknut SS
13	68818	1	Baffle Kit, Rear – High Capacity SS	31	68737	1	Reflective Strip – Red/White
14	68900	1	Baffle Kit, DS MS	32	68595	1	Label – Warning/Caution
14	68901	1	Baffle Kit, DS SS	33*	65640	1	Access Panel MS
				33*	94320	1	Access Panel SS

* = 31" Chute Only

MS = Mild Steel

SS = Stainless Steel

Copyright © 2013 Douglas Dynamics, LLC. All rights reserved. This material may not be reproduced or copied, in whole or in part, in any printed, mechanical, electronic, film or other distribution and storage media, without the written consent of Fisher Engineering. Authorization to photocopy items for internal or personal use by Fisher Engineering outlets is granted.

Fisher Engineering reserves the right under its product improvement policy to change construction or design details and furnish equipment when so altered without reference to illustrations or specifications used. Fisher Engineering or the vehicle manufacturer may require or recommend optional equipment for spreaders. Do not exceed vehicle ratings with a spreader. Fisher Engineering offers a limited warranty for all spreaders and accessories. See separately printed page for this important information. The following is a registered(®) trademark of Douglas Dynamics, LLC: FISHER®.

Printed in U.S.A.