



Fisher Engineering

96001

50 Gordon Drive, Rockland, Maine 04841-2139 • www.fisherplows.com

February 1, 2019
Lit. No. 95921, Rev. 08

Hopper and Drive Components

POLY-CASTER™ Hopper Spreader

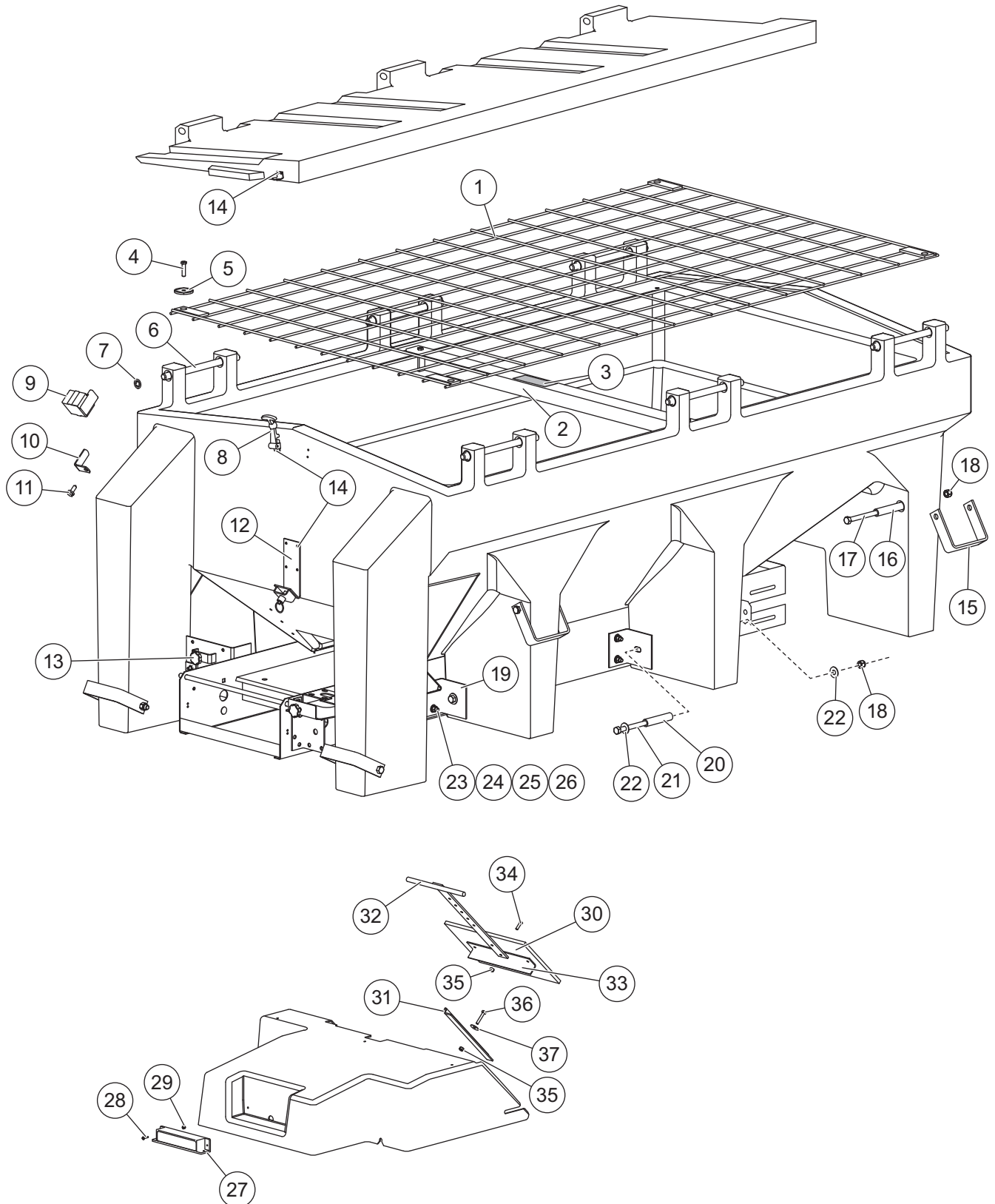
Parts List

This Parts List is for FISHER® POLY-CASTER Hopper Spreaders
with serial numbers beginning with 0609–0711.

A DIVISION OF FISHER, LLC

POLY-CASTER™ HOPPER SPREADER

HOPPER COMPONENTS

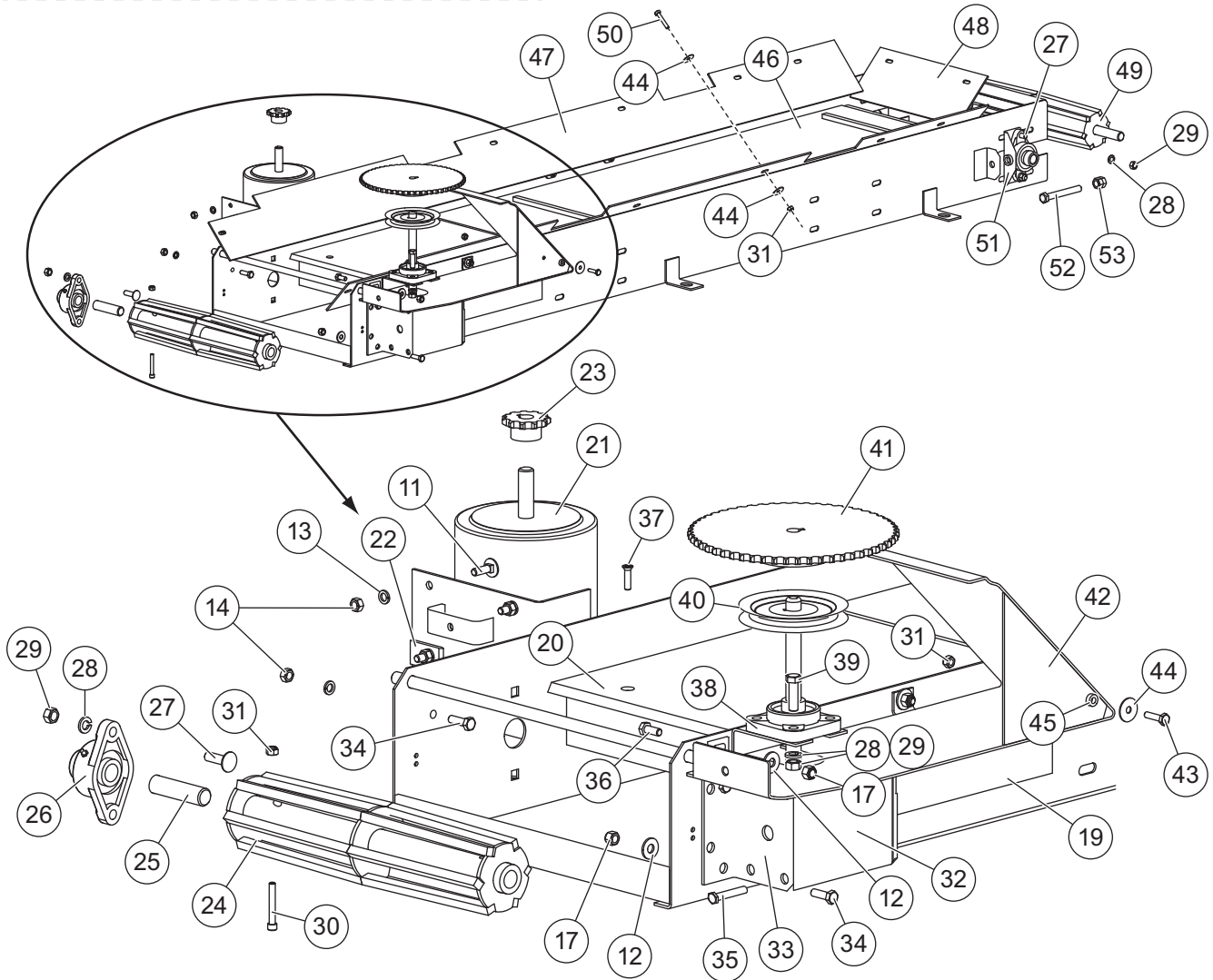
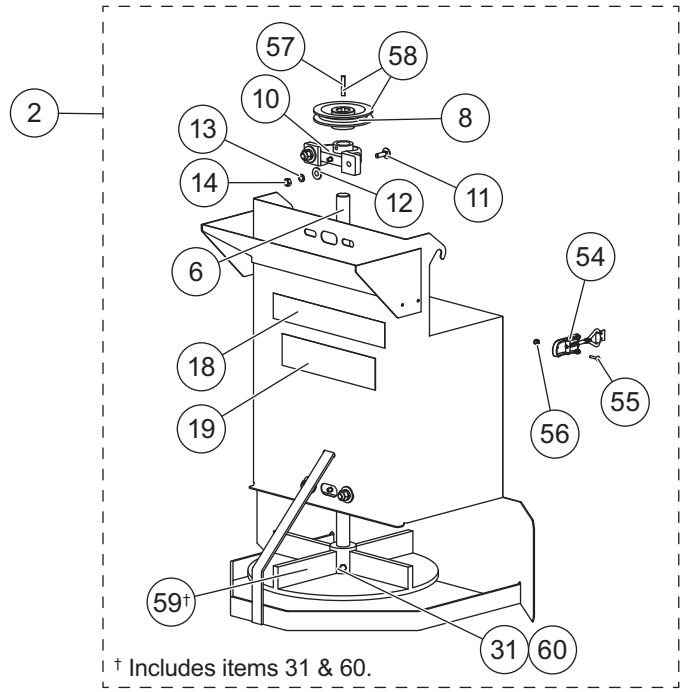
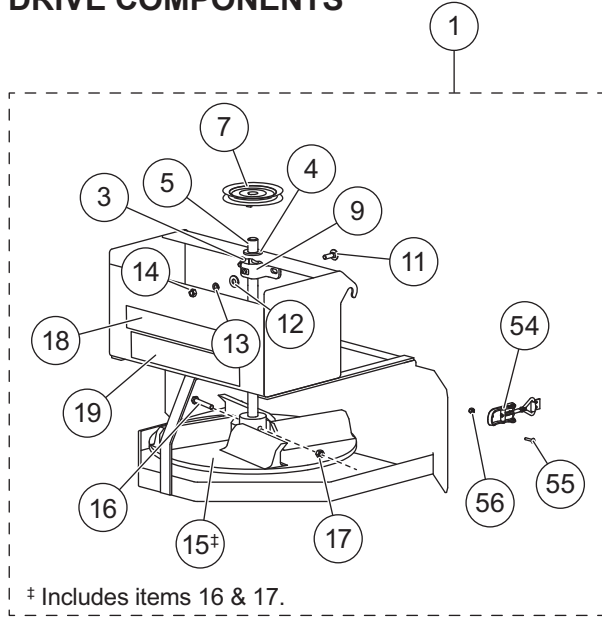


POLY-CASTER™ HOPPER SPREADER

Hopper Components							
Item	Part	Qty	Description	Item	Part	Qty	Description
1	96107	1	Top Screen	20	95830	4	4" Sleeve
2	96380-1	1	Top Screen Brace w/Label	21	95826	4	1/2-13 x 5-1/2 Hex Cap Screw SS
3	67272	1	Label – Caution, Do Not Lift	22	68109	8	1/2 Flat Washer Wide SS
4	66438	4	3/8-16 x 1-1/2 Hex Cap Screw SS	23	90375	16	3/8-16 x 1 Carriage Bolt
5	95831	4	Top Screen Washer	24	91123	16	3/8 Flat Washer Wide SS
6	95817	6	Hinge Pin	25	91282	16	3/8 Lock Washer SS
7	95818	12	Hinge Pin Retainer	26	91431	16	3/8-16 Hex Nut
8	P3045	2	Latch Kit	27	65361	1	Center High Mounted Stoplight
9	61246	1	Cable Boot	28	90693	2	#6-32 x 3/4 Machine Screw
10	56553	1	Boot Bracket	29	91398	2	#6-32 Hex Locknut GB SS
11	96375	1	3/8 x 1 Sheet Metal Screw	30	95772	1	Poly Feed Gate
12	95897	1	Feed Gate Latch	31	95773	2	Feed Gate Guide
13	67158	2	1/4-20 x 1 Thumb Screw SS	32	95899	1	Feed Gate Handle
14	95829	16	3/16 Pop Rivet	33	95768	1	Feed Gate Stiffener
15	95848	6	Handle	34	67074	4	1/4-20 x 1 Machine Screw Phillips Head Countersunk
16	95812	6	5" Sleeve	35	67076	8	1/4-20 Hex Locknut GB SS
17	95825	6	1/2-13 x 7 Hex Cap Screw SS	36	96376	4	1/4-20 x 1-1/2 Hex Cap Screw SS
18	95834	1	1/2-13 Hex Locknut SS	37	67155	4	1/4 Flat Washer Special SS
19	95765	8	Hopper Mounting Bracket				
SS = Stainless Steel				G = Grade			

POLY-CASTER™ HOPPER SPREADER

DRIVE COMPONENTS



POLY-CASTER™ HOPPER SPREADER

Drive Components							
Item	Part	Qty	Description	Item	Part	Qty	Description
1	95785	1	Chute & Spinner Assembly, Standard	39	98378	4	3/8-16 x 1-1/4 Hex Cap Screw SS
2	95950	1	Chute & Spinner Assembly, Extended	40	65765	1	Pulley, 4-1/2 x 5/8 Bore
3	65777	1	Locking Collar, 3/4 Bore	41	95776	1	55-Tooth Sprocket #40
4	67114	1	3/4 Thrust Washer	42	95814	1	Gear Box Cover
5	95795	1	Spinner Shaft, Standard Chute	43	68067	1	1/4-20 x 1 Hex Cap Screw SS
6	95960	1	Spinner Shaft, Extended Chute	44	67155	25	1/4 Flat Washer Special SS
7	95796-1	1	Pulley, 4-1/2 x 3/4 Bore	45	67159	1	3/16 Spacer
8	95745	1	Pulley, 4-1/2 x 1 Bore	46	95757-1	1	Cleated Conveyor Belt
9	65776	2	Pillow Block Bearing, 3/4 Bore	47	95770-1	2	Side Belt Guard
10	65636	2	Pillow Block Bearing, 1" Bore	48	95771	1	Front Belt Guard
11	95850	8	5/16-18 x 3/4 Carriage Bolt SS	49	95963	1	Conveyor Roller Assembly, Idler
12	90980	6	5/16 Flat Washer SS	50	96376	12	1/4-20 x 1-1/2 Hex Cap Screw SS
13	91276	8	5/16 Spring Lock Washer SS	51	95762	2	Bearing Plate
14	91430	8	5/16-18 Hex Nut SS	52	68620	2	1/2-13 x 4 Take-Up Bolt SS
15	94511	1	Poly Spinner Kit	53	67295	2	1/2-13 Hex Nut SS
16	94495	1	5/16-18 x 2-1/4 Hex Cap Screw SS	54	95819	2	Draw Latch
17	91350	3	5/16-18 Hex Locknut GB SS	55	98020	8	#8-32 x 1/2 Machine Screw
18	68737	1	Reflective Strip, Red/White	56	91372	8	#8-32 Hex Locknut GB
19	68584	3	Label – Warning/Caution, Spreader	57	65174	1	1/4 x 1-1/2 Machine Key
20	95769	1	Poly Floor	58	95943	1	Pulley Kit, 4-1/2 x 1 Bore
21	95755-2	1	1/2 hp Motor	59	94513	1	Spinner Service Kit 14.5" Poly
22	95730	1	Motor Brace	60	94498	1	1/4-20 x 2-1/4 Hex Cap Screw SS
23	95777	1	11-Tooth Sprocket #40	61	95929	1	Conveyor Belt Lacing Pin
24	68605	1	Conveyor Roller, Drive	ns	78178-1	1	Spreader Module
25	65753	1	Stub Shaft – Conveyor Roller	ns	95938	1	Label – Caution, Spreader Module
26	68619	3	Flange Bearing 3/4 Bore	ns	29217	1	Vehicle Power Cable
27	68621	4	3/8-16 x 1-1/4 Carriage Bolt	ns	28585	1	Spreader Power Cable
28	91282	8	3/8 Spring Lock Washer SS	ns	29221	1	Vehicle-Side Control Harness
29	91431	8	3/8-16 Hex Nut SS	ns	78102	1	Cab Control
30	95926	2	1/4-20 x 2 Hex Cap Screw G8	ns	95744	1	Vehicle Only Component Kit*
31	67076	14	1/4-20 Hex Locknut GB SS	ns	68794	1	CHMSL Harness Kit
32	95756	1	Gear Box 20:1	ns	29253	1	Motor Cable
33	95809	2	Gear Box Mounting Bracket	ns	95778	1	Drive Chain #40
34	90551	5	5/16-18 x 1 Hex Cap Screw SS	ns	95894	1	#40 Chain Master Link
35	99249	8	M8 x 1.25 x 16 Hex Cap Screw SS	ns	95836	1	100A Fuse
36	93162	2	5/16-18 x 3/4 Hex Cap Screw SS	ns	95837	1	Fuse Holder
37	67074	8	1/4-20 x 1 Machine Screw Phillips Head Countersunk	ns	22511	1	22" Battery Cable
38	68662	1	Flange Bearing 4-Bolt, 5/8 Bore	ns	94691	1	V-Belt

ns = not shown

SS = Stainless Steel

M = Metric

G = Grade

* Cab control not included.

POLY-CASTER™ HOPPER SPREADER



Fisher Engineering
50 Gordon Drive
Rockland, ME 04841-2139
www.fisherplows.com

A DIVISION OF FISHER, LLC

Copyright © 2019 Douglas Dynamics, LLC. All rights reserved. This material may not be reproduced or copied, in whole or in part, in any printed, mechanical, electronic, film, or other distribution and storage media, without the written consent of Fisher Engineering. Authorization to photocopy items for internal or personal use by Fisher Engineering outlets or spreader owner is granted.

Fisher Engineering reserves the right under its product improvement policy to change construction or design details and furnish equipment when so altered without reference to illustrations or specifications used. Fisher Engineering or the vehicle manufacturer may require or recommend optional equipment for spreaders. Do not exceed vehicle ratings with a spreader. Fisher Engineering offers a limited warranty for all spreaders and accessories. See separately printed page for this important information. The following are registered (®) or unregistered (™) trademarks of Douglas Dynamics, LLC: FISHER®, POLY-CASTER™.

Printed in U.S.A.