



Fisher Engineering

78001-1, 78004-1, 78007-1

50 Gordon Drive, Rockland, Maine 04841-2139 • www.fisherplows.com

April 1, 2023

Lit. No. 99754, Rev. 17

POLY  **CASTER**™

FLEETFLEX
ELECTRICAL SYSTEM

Hopper and Drive Components

POLY-CASTER™ Hopper Spreader

Parts List

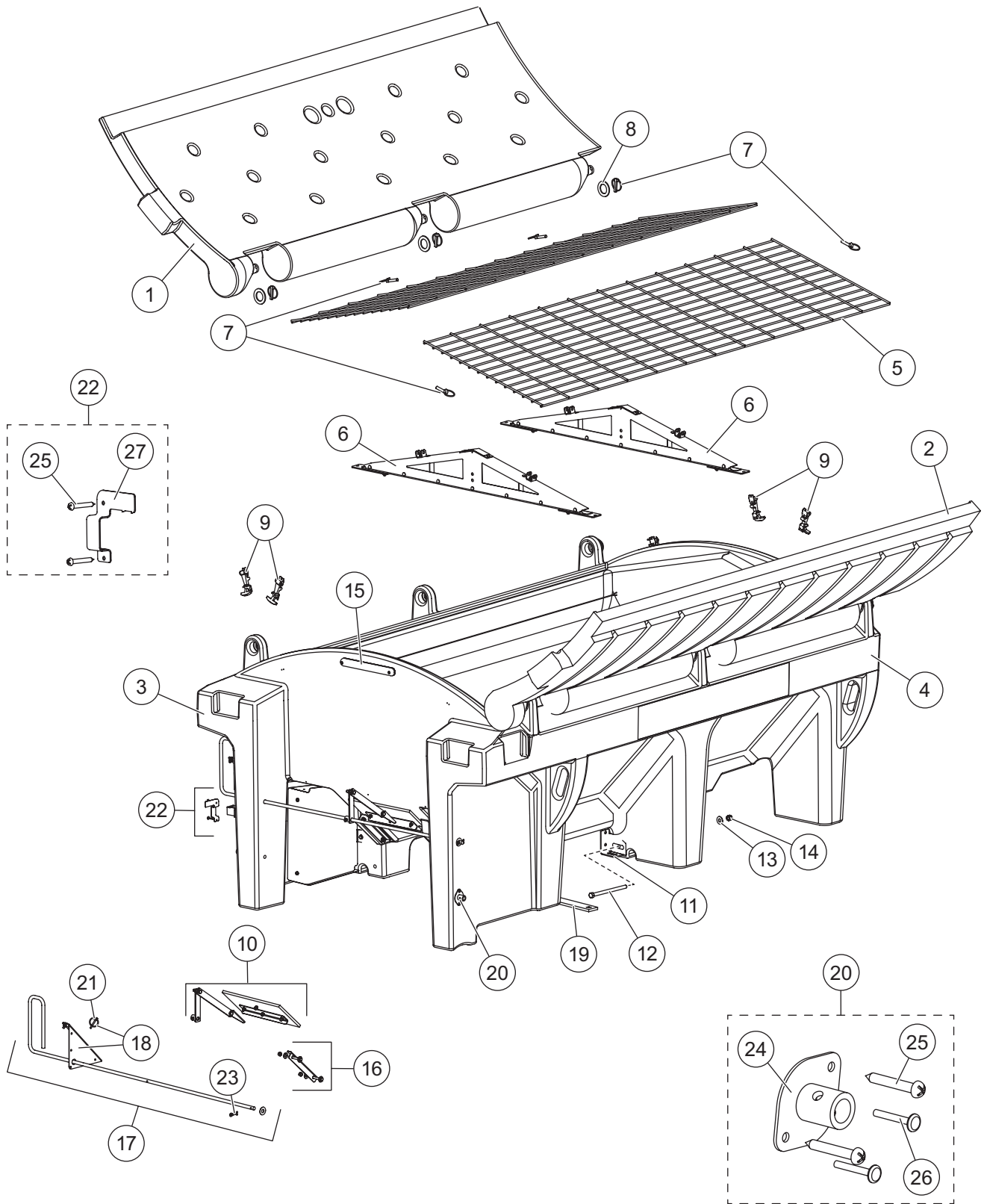


This Parts List is for FISHER® POLY-CASTER hopper spreaders
with serial numbers beginning with 160201–201210.

A DIVISION OF FISHER, LLC

POLY-CASTER™ HOPPER SPREADER

HOPPER COMPONENTS



POLY-CASTER™ HOPPER SPREADER

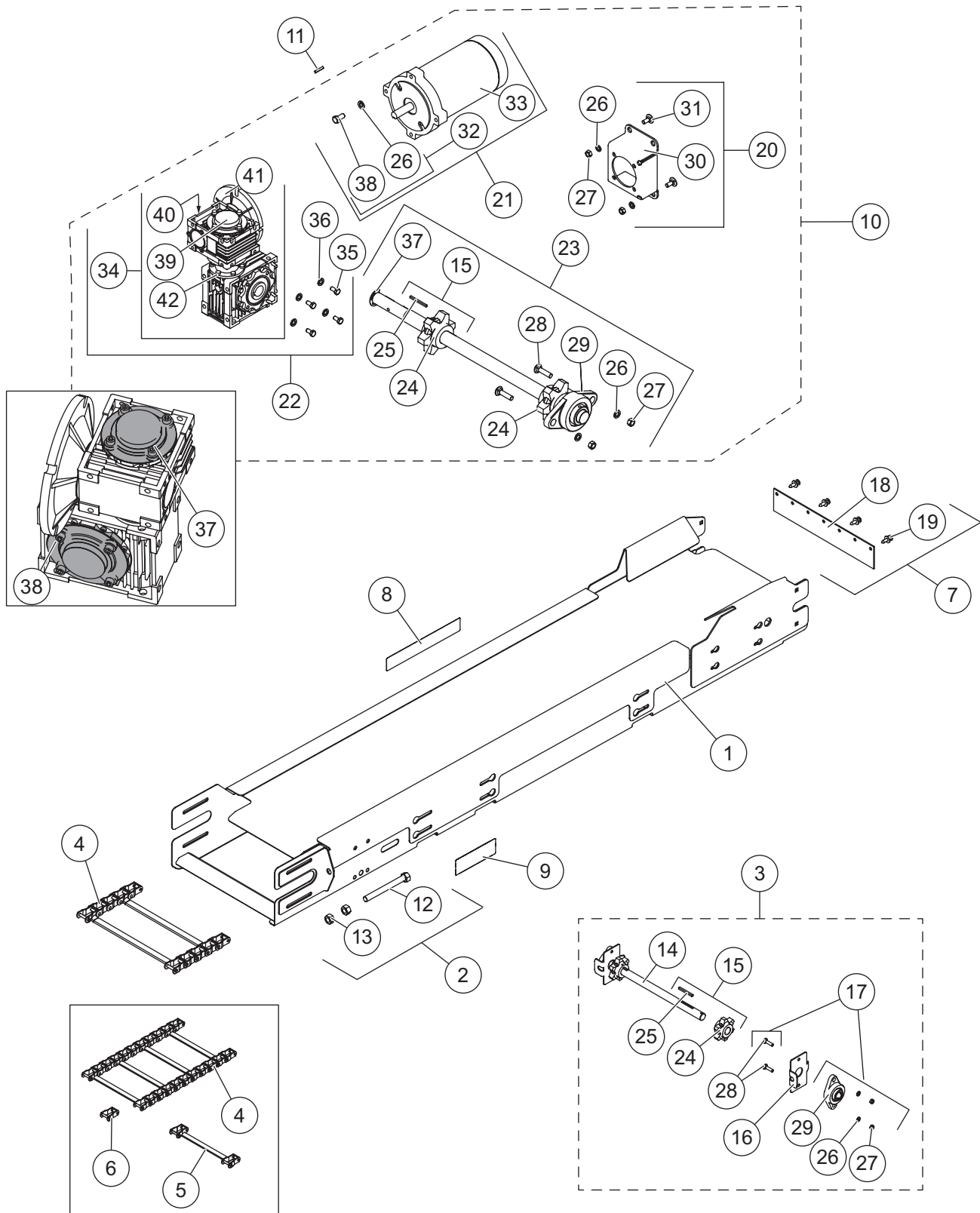
Hopper Components							
Item	Part	Qty	Description	Item	Part	Qty	Description
1	78018*	1	Poly Hopper Lid, 7' (DS)	12		4	1/2-13 x 7-1/2 Hex Cap Screw SS
	78288†	1	Poly Hopper Lid, 7' (DS)	13		4	1/2 Flat Washer SS
	78019	1	Poly Hopper Lid, 8' (DS)	14		4	1/2-13 Hex Locknut SS
2	78020*	1	Poly Hopper Lid, 7' (PS)	ns		8	3/8-16 x 1 Carriage Bolt SS
	78290†	1	Poly Hopper Lid, 7' (PS)	ns		8	3/8 Lock Washer SS
	78021	1	Poly Hopper Lid, 8' (PS)	ns		8	3/8-16 Hex Nut SS
3	78010	1	Poly Hopper Body, 7'	15	78048-1	1	CHMSL Kit (w/fasteners)
	78013	1	Poly Hopper Body, 8'	16	78083	1	Feed Gate Guide w/Fasteners Kit
4	78227	1	Poly Hopper Collar, 8'	17	78094	1	Feed Gate Handle Kit
5	78115	2	Top Screen, 7' (painted)	18	78098	1	Feed Gate Detent Bracket Kit
	78116	2	Top Screen, 8' (painted)	ns		4	3/8-16 x 1-1/2 Hex Cap Screw
6	78117-3	2	Top Screen Brace w/Label	19	78109	2	Mounting Bar w/Hardware
7	93010	10	7/16 Linchpin	ns	78242	1	Poly Hopper Collar Hardware Kit
8	78097	6	2.5 OD x 1.53 ID Washer SS	20	78262	2	Chute Attachment Sleeve Kit
9	65224	4	Rubber Hold-Down Strap	21	93042	1	3/16 Linchpin
ns	99775	1	Cable Boot	22	99748	1	Chute Connector Clip Kit
10	78118	1	Feed Gate Assembly Kit	ns	31594EN	2	Label – Warning/Caution, Spreaders
11	78119	3	Hopper Mounting Bracket (PS)	ns	11100	1	Label – Warning, Rear Camera
ns	78133	3	Hopper Mounting Bracket (DS)	ns	67272		Label – Caution, Do Not Lift
Item 10				78118 Feed Gate Assembly Kit			
	78093	1	Feed Gate Sub Assembly	90601	1	1/4 x 1-1/2 Cotter Pin	
Item 16				78083 Feed Gate Guide w/Fasteners Kit			
	94495	2	5/16-18 x 2-1/4 Hex Cap Screw SS	91350	2	5/16-18 Hex Locknut SS	
	78047	1	Feed Gate Slide				
Item 17				78094 Feed Gate Handle Kit			
	78029	1	Feed Gate Actuator Shaft			1	1/2 Flat Washer Type A Wide SS
23	90601	2	1/4 x 1-1/2 Cotter Pin				
Item 20				78262 Chute Attachment Sleeve Kit			
24		1	Pin Retainer	26		2	3/16 Pop Rivet Aluminum
25		2	#10 x 1-1/2 Pan Head Phillips Screw SS				
Item 22				99748 Chute Connector Clip Kit			
25		2	#10 x 1-1/2 Pan Head Phillips Screw SS	ns	99758	1	Label – Warning, Chute Connector Dump Switch
27		1	Chute Connector Clip				
ns = not shown				SS = Stainless Steel			

* Fits units with serial numbers beginning with 180520 and lower.

† Fits units with serial numbers beginning with 180521 and higher.

POLY-CASTER™ HOPPER SPREADER

DRIVE COMPONENTS

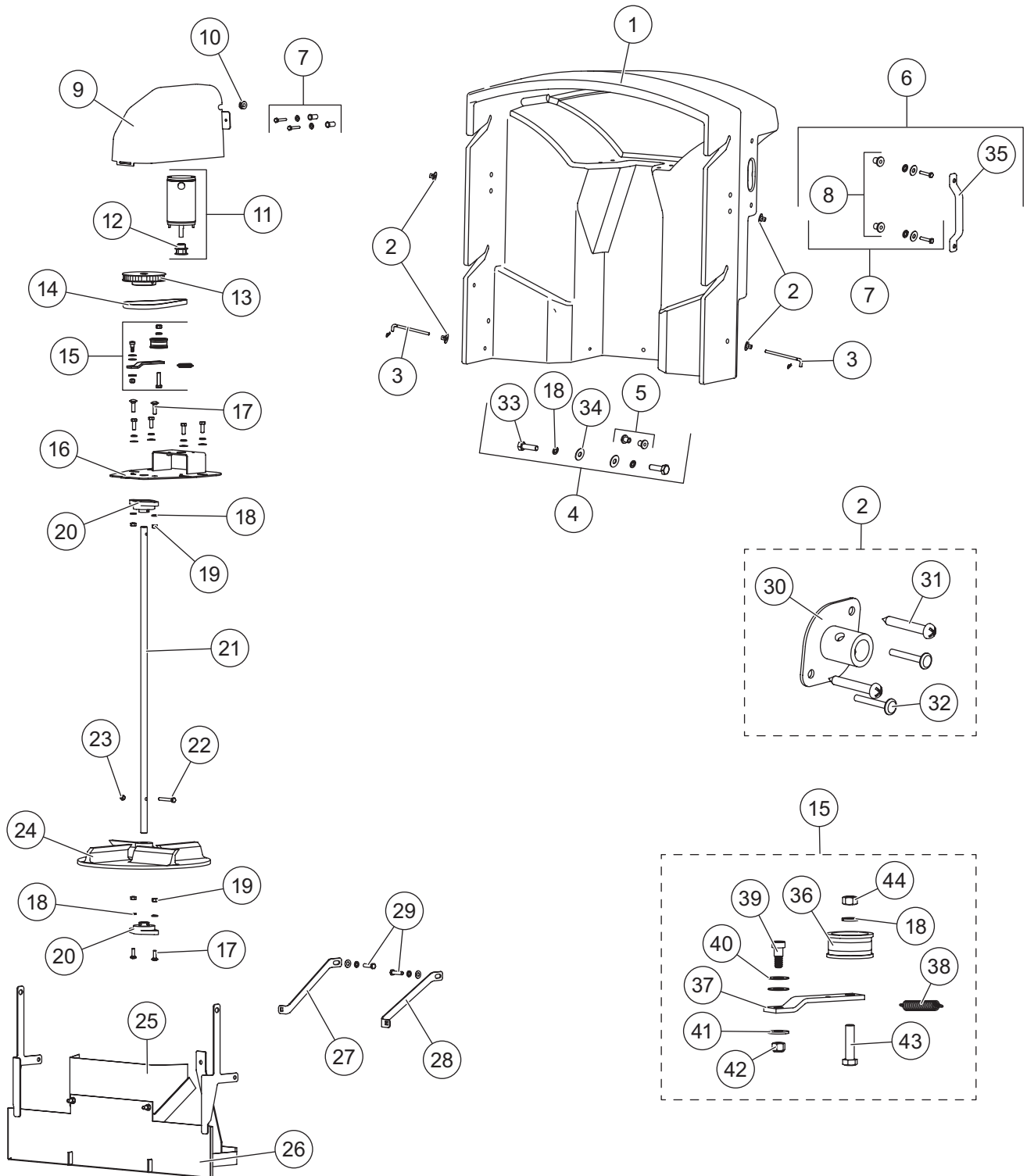


POLY-CASTER™ HOPPER SPREADER

Drive Components							
Item	Part	Qty	Description	Item	Part	Qty	Description
1	99752	1	Sill, 7'	6	68475	AR	Conveyor Repair Link w/Pins & Cotters
	99753	1	Sill, 8'				
2	99073	1	Tension Bolt Kit	7	78266	1	Wiper Kit
3	99480	1	Idler Shaft Assembly Kit	8	31594EN	1	Label – Warning/Caution, Spreaders
4	78076	1	Pintle Chain, 7' (99 link)	9	11100	1	Label – Warning, Rear Camera
	94898	1	Pintle Chain, 8' (108 link)	10	89091	1	Electric Conveyor Drive Kit
5	68492	AR	Conveyor Repair Bar w/Pins & Cotters	11	65195	1	3/16 x 1 Machine Key
Item 2 99073 Tension Bolt Kit							
12		1	5/8-11 x 6 Take-Up Bolt SS	13		2	5/8-11 Hex Nut SS
Item 3 99480 Idler Shaft Assembly Kit							
14	94351	1	Idler Shaft	16	99765	2	Bearing Alignment Plate
15	99479	2	6-Tooth Sprocket	17	94953	1	Spreader Bearing Kit
Item 7 78266 Wiper Kit							
18	65642	1	Wiper Belt	19	99079	1	Rivet Kit (qty 4 PN 96014 push-type retainers)
Item 10 89091 Electric Conveyor Drive Kit							
20	99749	1	Gear Box Mounting Plate Kit	22	31509	1	Gear Box Kit
21	99085	1	Conveyor Motor Kit	23	99094	1	Drive Shaft Kit
Item 15 99479 6-Tooth Sprocket							
24		1	Drive Sprocket 6T	25	95076	1	1/4 x 2-3/4 Machine Key
Item 17 94953 Spreader Bearing Kit							
26		2	3/8 Lock Washer SS	28		2	3/8-16 x 1-1/2 Carriage Bolt SS
27		2	3/8-16 Hex Nut SS	29	94536	1	Bearing 1-1/8 ID 2-Bolt Flange
Item 20 99749 Gear Box Mounting Plate Kit							
26		4	3/8 Lock Washer SS	30		1	Gear Box Attachment Plate
27		4	3/8-16 Hex Nut SS	31		4	3/8-16 x 1 Carriage Bolt SS
Item 21 99085 Conveyor Motor Kit							
32	99086	1	Bolt Bag, Conveyor Motor SH	33		1	Motor 1/2 hp NEMA 56C
Item 22 31509 Gear Box Kit							
34	31098	1	Gear Box 10 x 20 2X Worm Gear	36		4	M8 Lock Washer SS
35		4	M8-1.25 x 16 Hex Cap Screw SS				
Item 23 99094 Drive Shaft Kit							
15	99479	2	6-Tooth Sprocket	28		2	3/8-16 x 1-1/2 Carriage Bolt SS
26		2	3/8 Lock Washer SS	29	94536	1	Bearing 1-1/8 ID 2-Bolt Flange
27		2	3/8-16 Hex Nut SS	37	330	1	1" Retaining Ring
Item 32 99086 Bolt Bag, Conveyor Motor							
26		4	3/8 Lock Washer SS	38		4	3/8-16 x 1 Hex Cap Screw SS
Item 34 31098 Gear Box 10 x 10 2X Worm Gear							
		1	Gear Box 10 x 20 2X Worm Gear	41	31101	1	Motor Flange
39	86792	1	Gear Box Cover Kit, Primary	42	31102	1	Connector Flange
40	86799	1	Gear Box Cover Kit, Secondary				
ns = not shown			M = Metric		SS = Stainless Steel		AR = As Required

POLY-CASTER™ HOPPER SPREADER

CHUTE ASSEMBLY

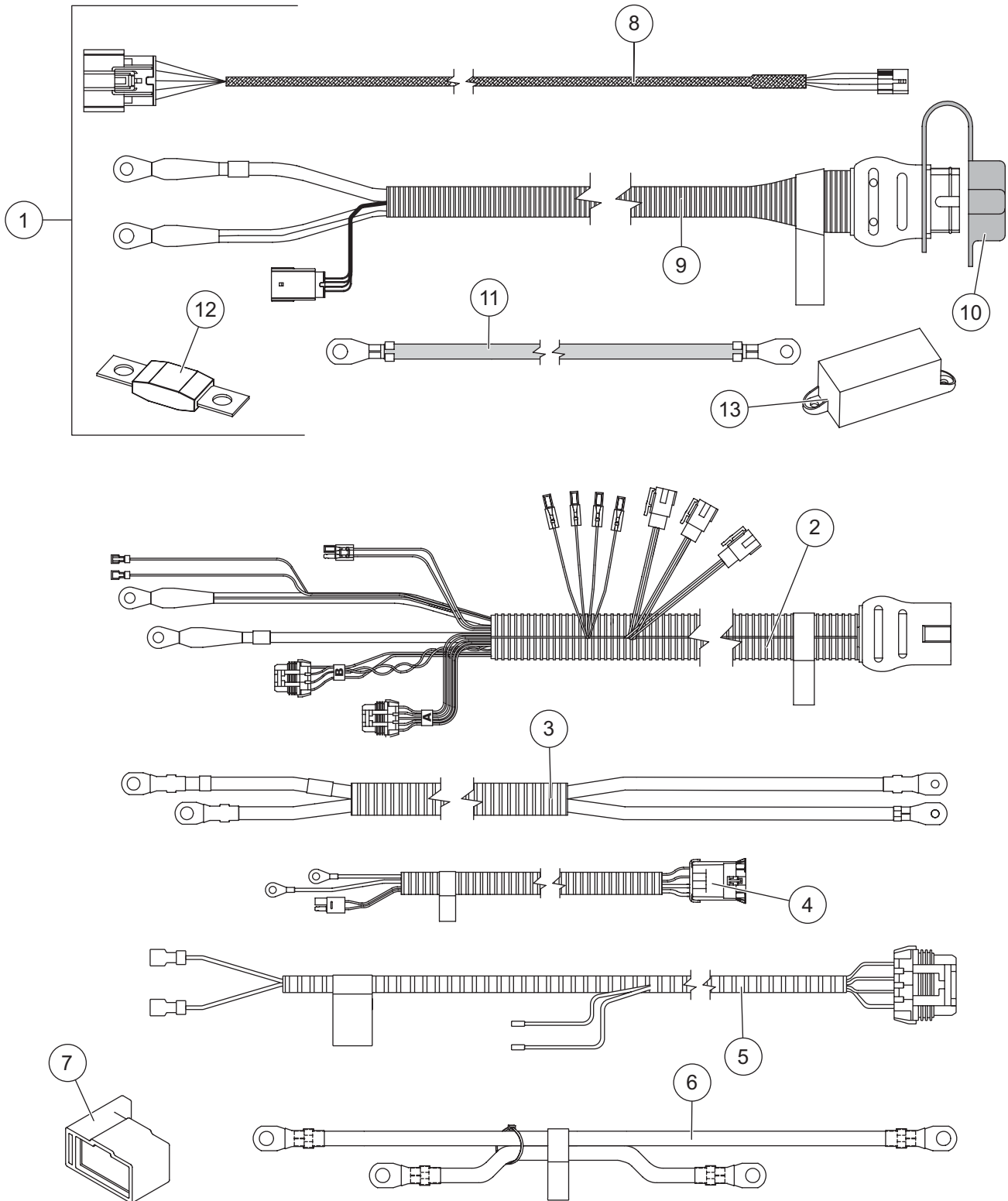


POLY-CASTER™ HOPPER SPREADER

99779 Chute Assembly							
Item	Part	Qty	Description	Item	Part	Qty	Description
1	78123	1	Chute Cover	16	78297	1	Chute Motor Base Plate
2	78262	4	Chute Attachment Sleeve Kit	17		28	3/8-16 x 1 Carriage Bolt SS
3	78031	1	Chute Attachment Pin Bag (pkg of 2)	18		18	3/8 Lock Washer SS
4	78268	1	3/8 Well Nut Fastener Kit	19		7	3/8-16 Hex Nut SS
5	78267	1	3/8-16 Well Nut (pkg of 2)	20	96167	2	Pillow Block Bearing 3/4 Bore
6	78247	2	Chute Handle Kit	21	78283	1	Spinner Shaft
7	78270	1	1/4 Well Nut Fastener Kit	22		1	5/16-18 x 2-1/4 Hex Cap Screw SS
8	78269	1	1/4-20 Well Nut (pkg of 2)	23		1	5/16-18 Hex Nut SS
9	78287	1	Chute Motor Cover	24	94424	1	Spinner, Poly
10	66130	1	Grommet	25	78294	1	Deflector
11	78300	1	Motor 12V DC 1/3 hp (incl. item 12)	26	78130-1	1	Spinner Guard
12	76795	1	10-Tooth Cogged Belt Pulley	27	78302	1	Brace, PS
13	76796	1	40-Tooth Cogged Belt Pulley 3/4 Bore	28	78301	1	Brace, DS
14	78285	1	Gear Belt	29		5	3/8-16 x 3/4 Hex Cap Screw SS
15	78298	1	Idler Kit	ns	78199	1	CHMSL Harness Kit
Item 2 78262 Chute Attachment Sleeve Kit							
30		1	Pin Retainer	32		2	3/16 Pop Rivet Aluminum
31		2	#10 x 1-1/2 Pan Head Phillips Screw SS				
Item 4 78268 3/8 Well Nut Fastener Kit							
5	78267	1	3/8-16 Well Nut (pkg of 2)	33		2	3/8-16 x 1-1/2 Hex Cap Screw SS
18		2	3/8 Lock Washer SS	34		2	3/8 Flat Washer Type A Wide SS
Item 6 78247 Chute Handle Kit							
7	78270	1	1/4 Well Nut Fastener Kit	35		1	Plastic Handle
Item 7 78270 1/4 Well Nut Fastener Kit							
8	78269	1	1/4-20 Well Nut (pkg of 2)			2	1/4 Lock Washer SS
		2	1/4 Flat Washer Type A Narrow SS			2	1/4-20 x 1-1/2 Hex Cap Screw SS
Item 15 78298 Idler Kit							
18		1	3/8 Lock Washer SS	39		1	3/8 x 5/16-18 Shoulder Bolt
19		1	3/8-16 Hex Nut SS	40		2	3/8 Flat Washer Type A Wide SS
36		1	2" Idler Pulley	41		1	5/16 Flat Washer Type A Narrow SS
37		1	Idler Arm	42		1	5/16-18 Hex Locknut GB SS
38		1	Spring	43		1	3/8-16 x 1-3/4 Hex Cap Screw SS
ns = not shown		SS = Stainless Steel				G = Grade	

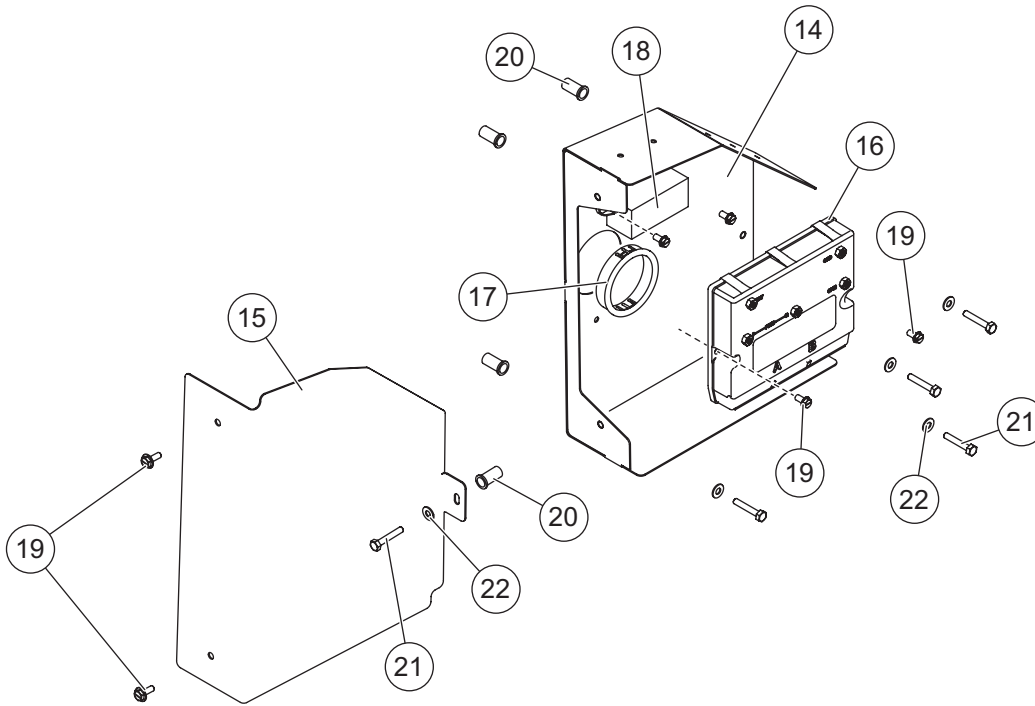
POLY-CASTER™ HOPPER SPREADER

CABLES & HARNESSING COMPONENTS



POLY-CASTER™ HOPPER SPREADER

ELECTRICAL ENCLOSURE COMPONENTS

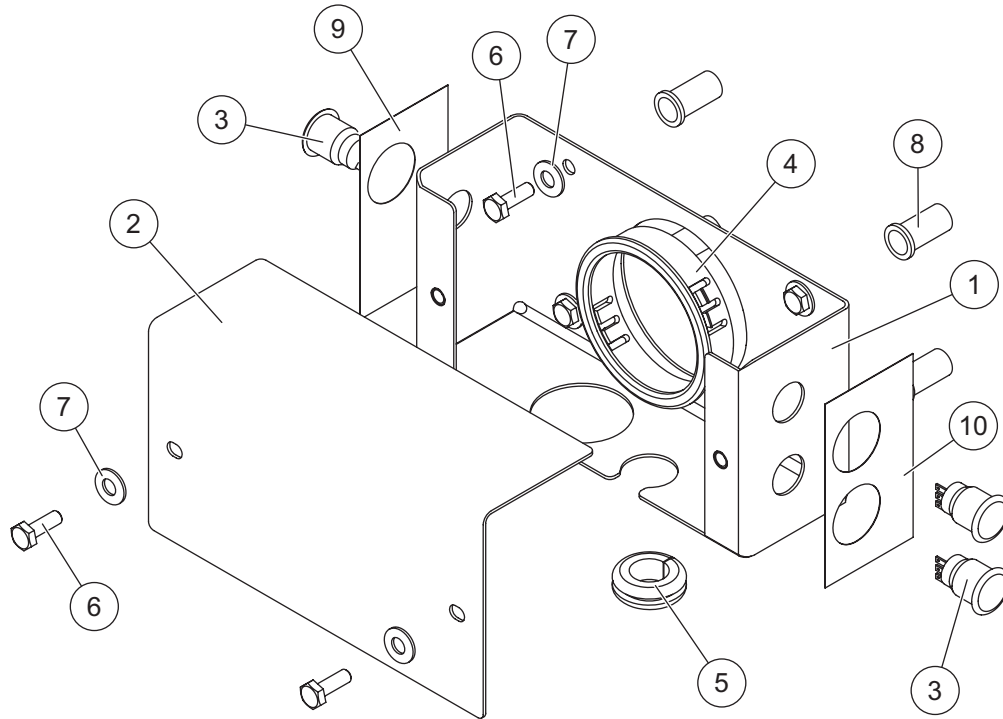


Cables & Harnessing / Electrical Enclosure Assembly							
Item	Part	Qty	Description	Item	Part	Qty	Description
1	78402	1	Vehicle-Side Harness Kit	4	78415	1	Spinner Motor Cable Assy, Hopper
2	78417	1	Hopper Harness Assembly	5	78412	1	Spinner Motor Cable Assembly, Chute
3	78418	1	Harness Assembly, Module to Conveyor Motor	6	78394	1	Cable Assembly, Mod. to Isolated Stud
				7	69916	1	8-Pin Cable Boot
Item 1	78402 Vehicle-Side Harness Kit						
8	69902	1	Vehicle Control Harness	12	95836	1	Fuse, 100A
9	76057	1	Vehicle Harness*	13	95837	1	Fuse Holder
10	99759	1	Plug Cover	ns		6	Cable Tie, HD
11	22511	1	22" Battery Cable – Red	ns		10	Cable Tie, 15.35"
	Electrical Enclosure Assembly						
14	95073	1	Electrical Enclosure Body	19		6	1/4-20 x 1/2 Hex Washer-Head Machine Screw SS
15	99745	1	Electrical Enclosure Cover	20	78263	5	Well Nut
16	52385	1	4-Post Spreader Module	21		5	1/4-20 x 1-1/2 Hex Cap Screw SS
17	78434	1	Snap-In Grommet	22		5	1/4 Flat Washer SS
18	95837	1	Isolated Stud Block				
	ns = not shown				SS = Stainless Steel		

* Includes plug cover (item 10).

POLY-CASTER™ HOPPER SPREADER

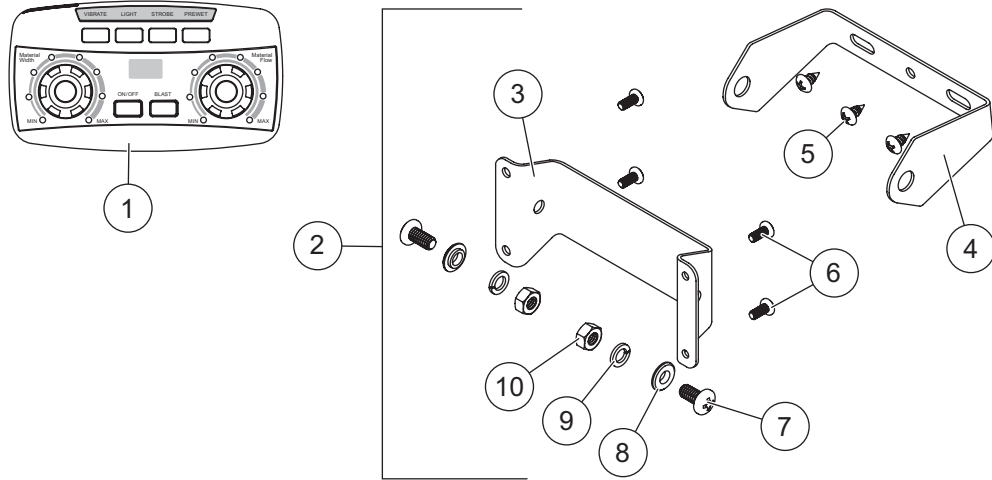
SWITCH BOX ENCLOSURE ASSEMBLY



Switch Box Enclosure Assembly							
Item	Part	Qty	Description	Item	Part	Qty	Description
1	99746	1	External Enclosure, Body	7	6	6	1/4 Flat Washer SS
2	99747	1	External Enclosure, Cover	8	78263	4	Well Nut
3	99254	3	Push Button Switch	ns	95077	1	Dump Switch Label Kit (incl. items 9 & 10)
4	78434	1	Snap-In Grommet	9		1	Label – Information, One-Button
5	99195	2	Break-Thru Plug	10		1	Label – Information, Two-Button
6		6	1/4-20 x 3/4 Hex Cap Screw SS				
ns = not shown				SS = Stainless Steel			

POLY-CASTER™ HOPPER SPREADER

CAB CONTROL



99533 Cab Control Kit							
Item	Part	Qty	Description	Item	Part	Qty	Description
1	99773	1	Cab Control 2-Knob	2	52345	1	Cab Control Bracket Kit
Item 2				52345 Cab Control Bracket Kit			
3	1	1	Bracket, Control Inner	7	2	2	1/4-20 x 1/2 Pan Head Machine Screw SS – Black Oxide
4	1	1	Bracket, Control Outer	8	2	2	1/4 Shoulder Washer – Black Oxide
5	3	3	#10 x 3/8 Tapping Screw SS	9	2	2	1/4 Lock Washer SS
6	4	4	#8-32 x 3/8 Phillips Pan Head Machine Screw	10	2	2	1/4-20 Hex Nut G5 – Black Oxide
G = Grade				SS = Stainless Steel			

ACCESSORIES & PRE-WET KITS

Accessories			
Part	Description	Part	Description
78197	License Plate Light Kit	76668	Vibrator Kit
99505-1	Primary Work Light Kit	78120	Inverted V Kit, 8' Model
99732-1	Secondary Work Light Kit	78150	Inverted V Kit, 7' Model
99766	Strobe Light Kit	68790	Ratchet Tie-Down Kit
Pre-Wet Kits			
76400	Standard Pump Kit, On-Off System	76425	50-Gallon Tank Kit (2 x 25 gal)
76420	Deluxe Pump Kit, Full-Feature System		

POLY-CASTER™ HOPPER SPREADER



Fisher Engineering
50 Gordon Drive
Rockland, ME 04841-2139
www.fisherplows.com

A DIVISION OF FISHER, LLC

Copyright © 2023 Douglas Dynamics, LLC. All rights reserved. This material may not be reproduced or copied, in whole or in part, in any printed, mechanical, electronic, film, or other distribution and storage media, without the written consent of Fisher Engineering. Authorization to photocopy items for internal or personal use by Fisher Engineering outlets or spreader owner is granted.

Fisher Engineering reserves the right under its product improvement policy to change construction or design details and furnish equipment when so altered without reference to illustrations or specifications used. Fisher Engineering or the vehicle manufacturer may require or recommend optional equipment for spreaders. Do not exceed vehicle ratings with a spreader. Fisher Engineering offers a limited warranty for all spreaders and accessories. See separately printed page for this important information. The following are registered (®) or unregistered (™) trademarks of Douglas Dynamics, LLC: FISHER®, POLY-CASTER™.

Printed in U.S.A.