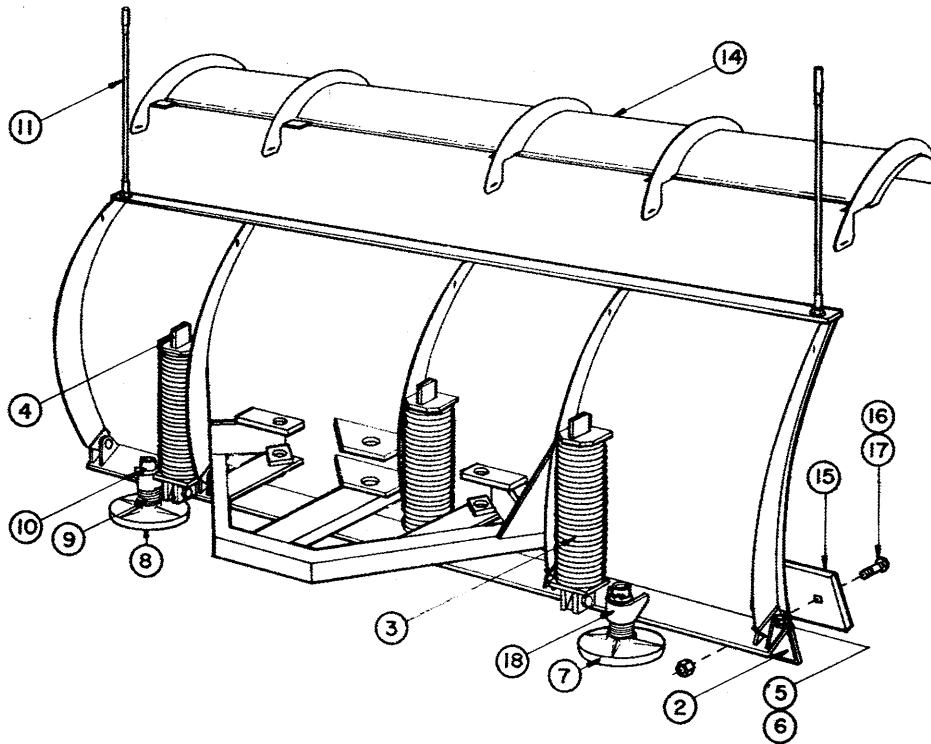


SERIES G & H

7' BLADE
7-1/2' BLADE

A5570
A5563



REF. #	PART #	DESCRIPTION	QUAN. REQ.	
			7'	7-1/2'
2	5575	7' BASE ANGLE	1	
	5566	7-1/2' BASE ANGLE		1
3	305	TRIP SPRING	3	3
4	6631	SPRING BAR	3	3
	90210	1/2-13 X 1-1/2 GR.5 BOLT (NC)	3	3
	90355	1/2-13 SELF LOCKING NUT	3	3
5	90658	5/32 X 1-1/4 COTTER PIN	5	5
6	5523	3/4 X 2-1/8 MACHINE PIN	5	5
7	A463	REGULAR SHOE ASSEMBLY	2	2
8	306	REGULAR SHOE	2	2
	5561	ANTI-WEAR SHOE		2
9	307	SHOE SPACER	12	12
10	308	SHOE PIN	2	2
11	A5108	BLADE GUIDE, FLEXIBLE (PACKED IN COMMON ATTACHING KIT)	2	2
14	A5554	7' SNOWFOIL (OPTIONAL)	1	
	A5556	7-1/2' SNOWFOIL (OPTIONAL)		1
15	5532	7-1/2' REPLACEABLE CUTTING EDGE (OPT)		1
16	5551	1/2-13 X 2 CARRIAGE BOLT, GR.5 (OPT)		8
17	90355	1/2-13 LOCKNUT		8
18	6821	SHOE TUBE/SUPPORT	2	2